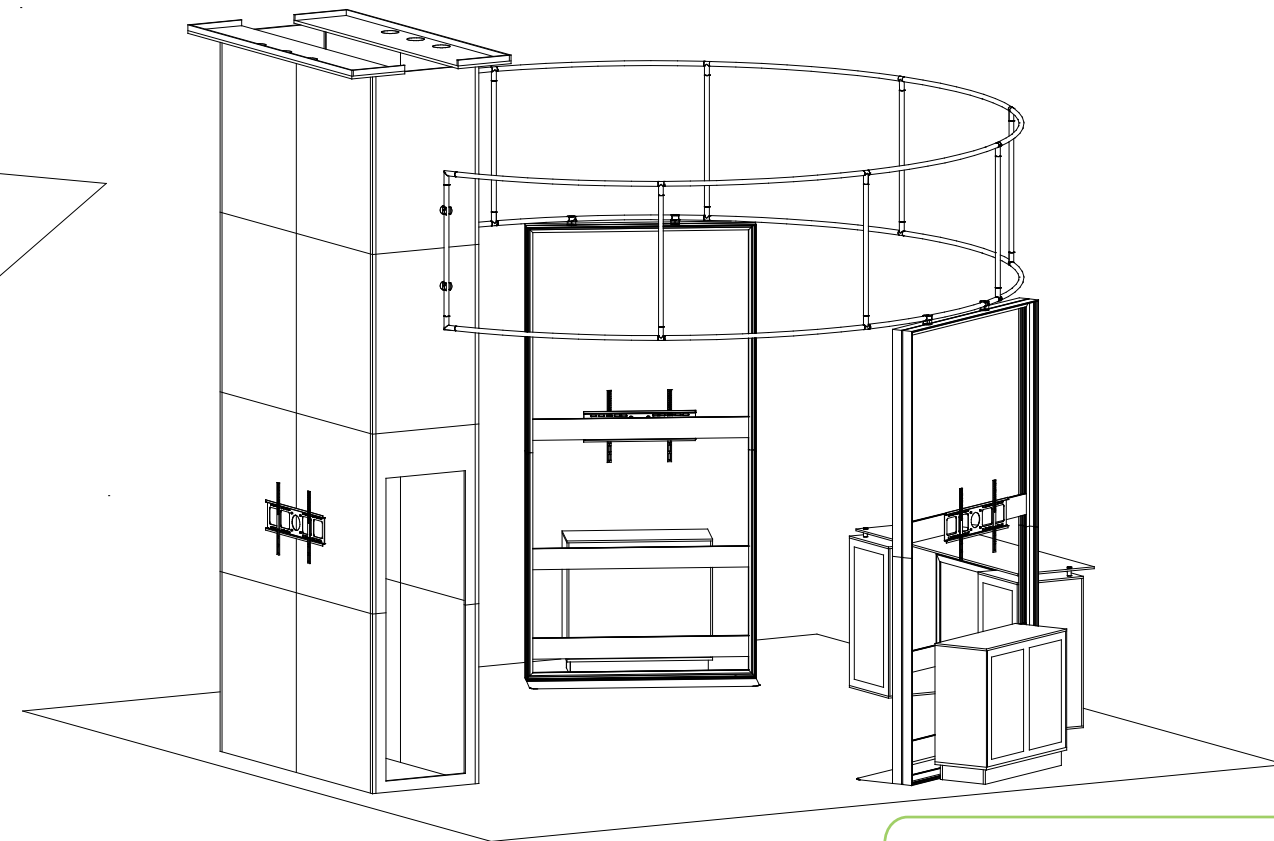
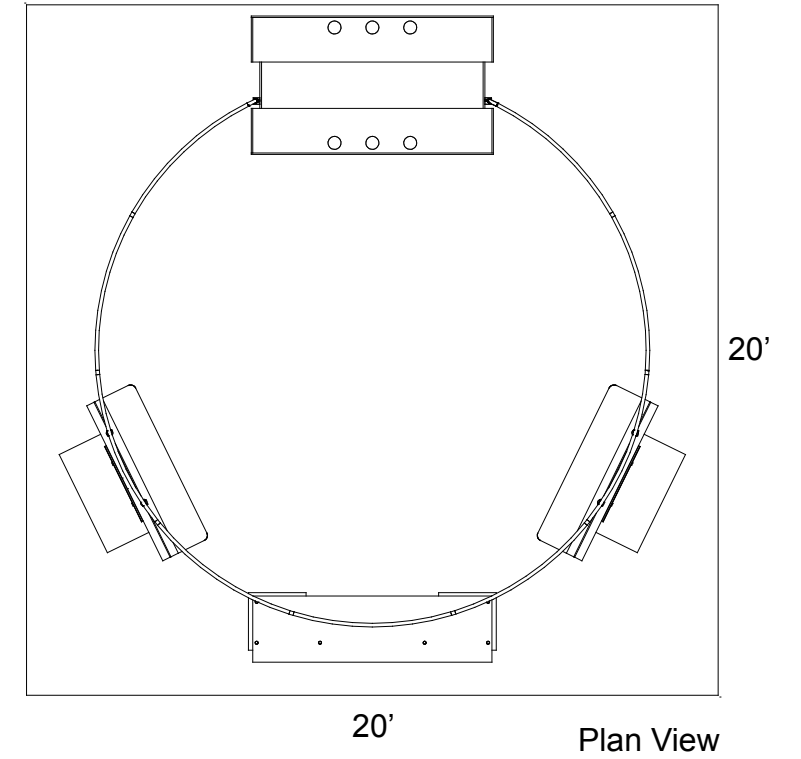
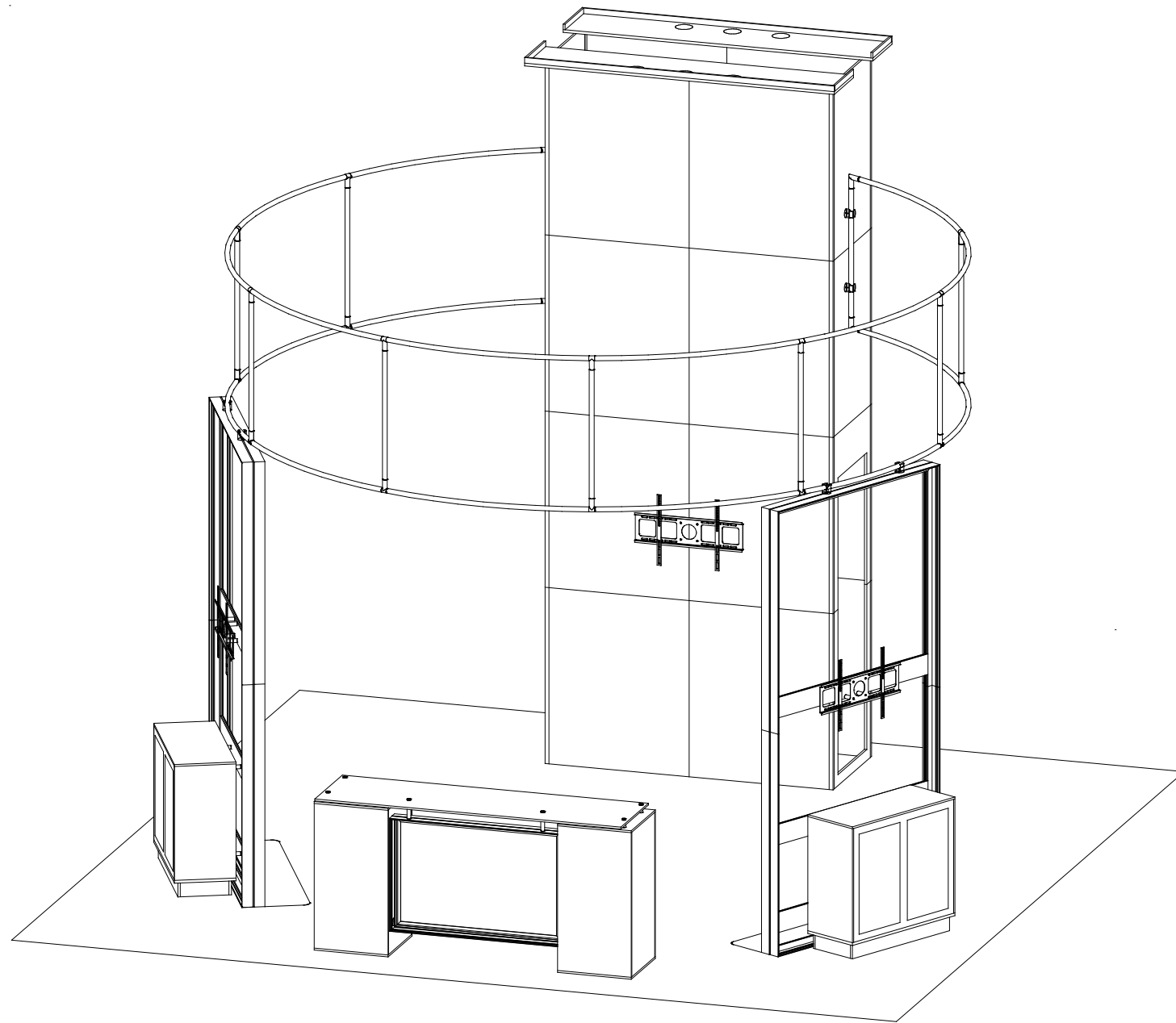


Order #XXXXX - ECO-4100 - 20' x 20' Sustainable Hybrid Island



## General Setup Instructions

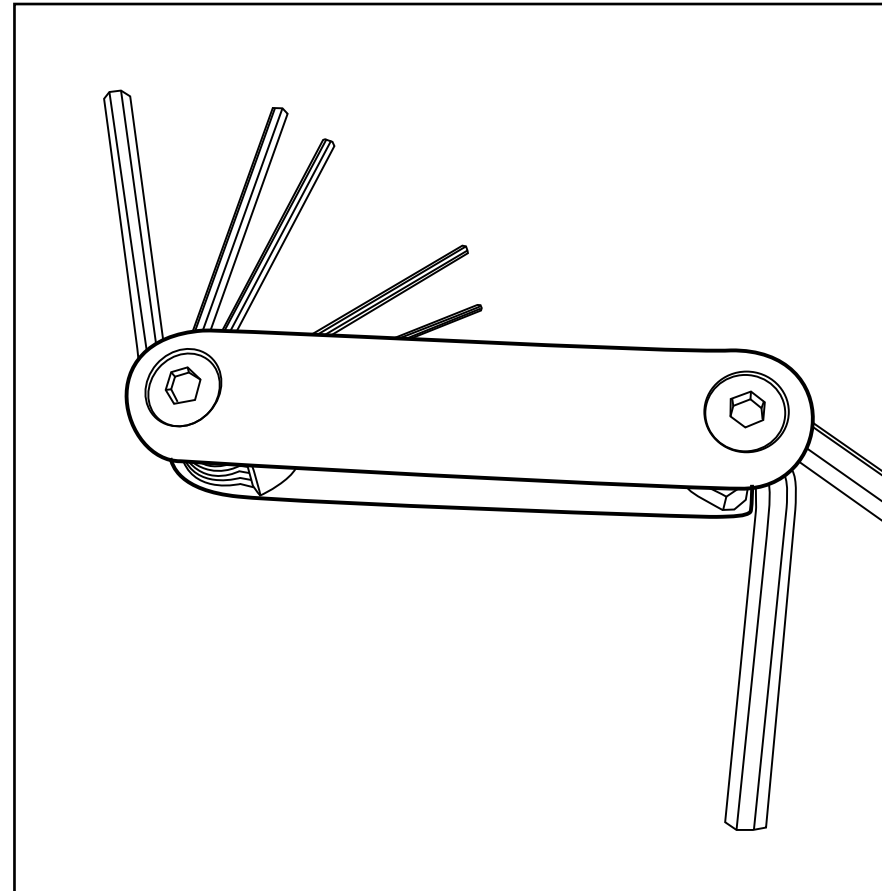
- The setup instructions are created specifically for your configuration.
- Setup instructions are laid out sequentially in levels, including exploded views and a logical series of steps for assembly. We encourage you to study the instructions before attempting to assemble your exhibit.

## Cleaning and Packing

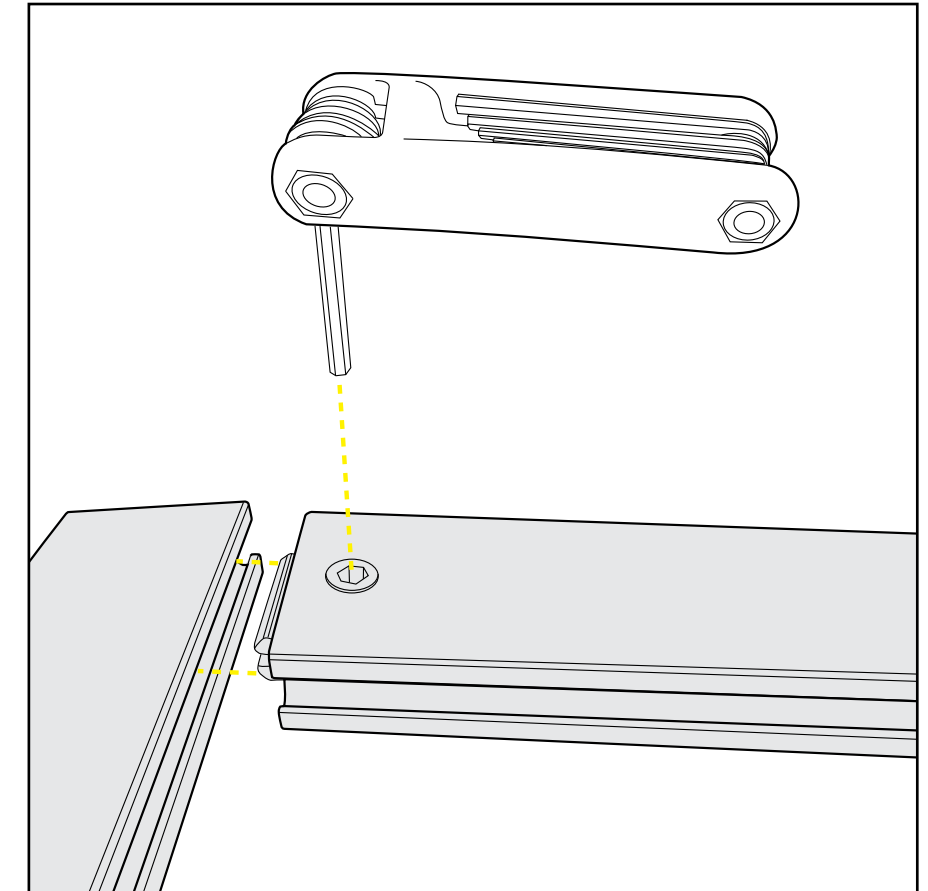
- Use non-abrasive cleaners when cleaning extrusions or ECO Glass inserts.
- Use mild cleaners and soft materials such as cotton to clean all laminates.
- Keep exhibit components away from extreme heat and long exposure to sun light. This will prevent warping and fading.
- Retain all packing material for ease of re-packing. This protects the exhibit components and keeps each part organized.

## Disassembling

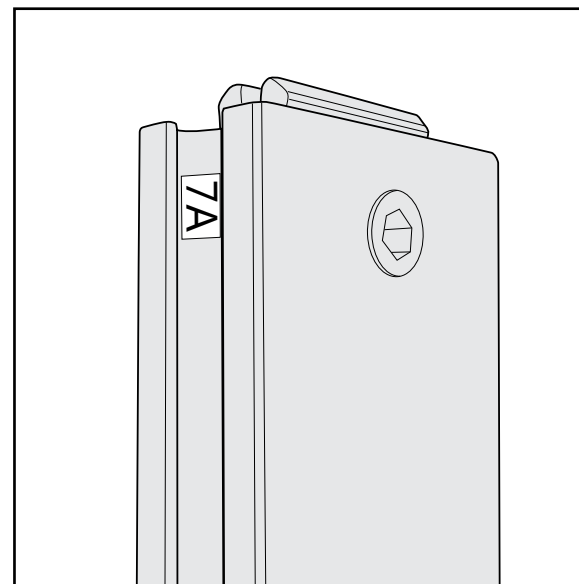
- When disassembling exhibit, tighten all setscrews to prevent loss of hardware in the shipping process.



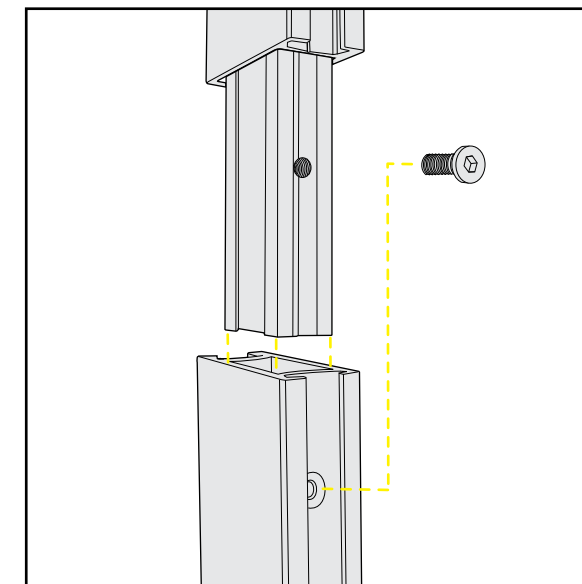
Hex Tool for Assembling Exhibit



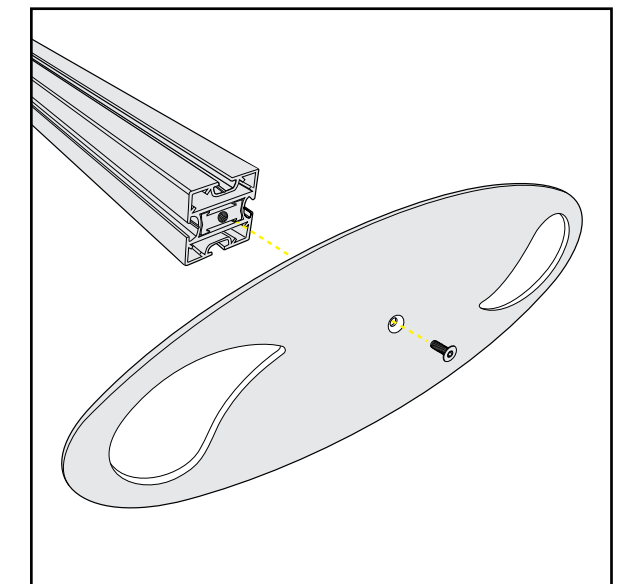
Extrusion Lock Connectors



Numbering Instructions for Setups/Packing



Inline Connection between Extrusions



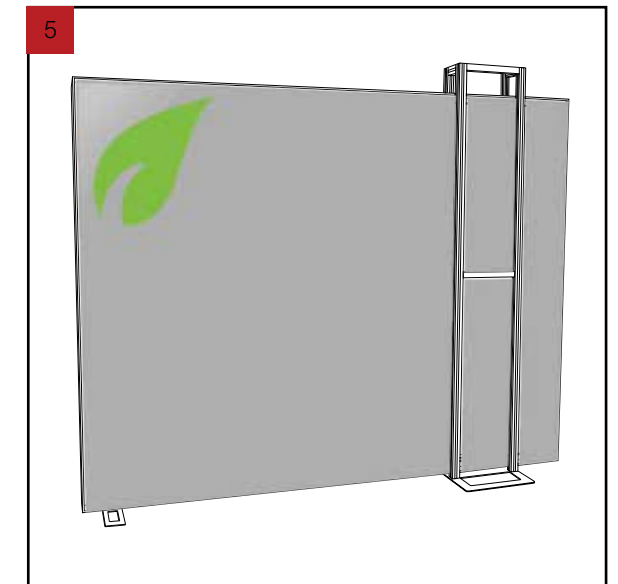
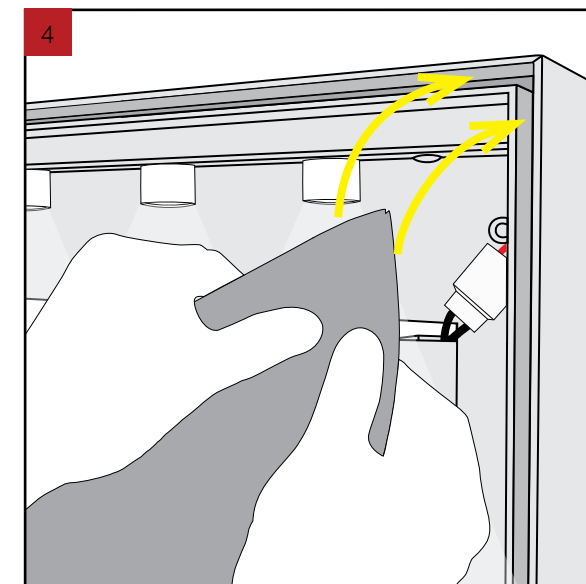
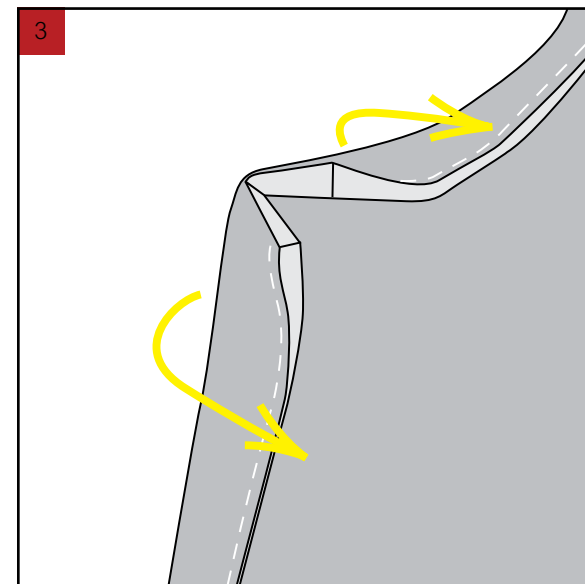
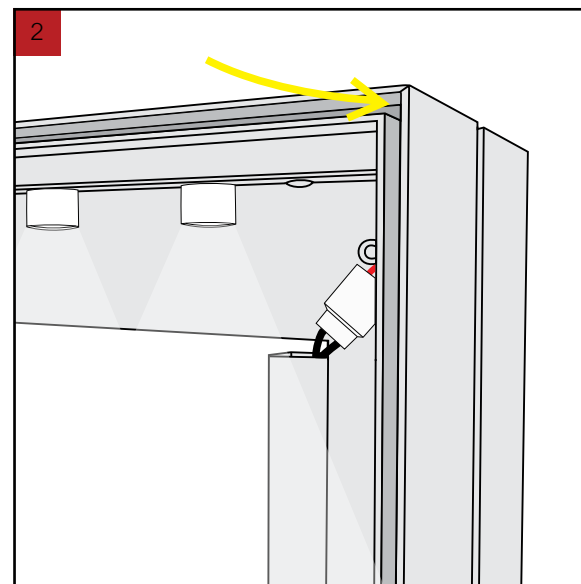
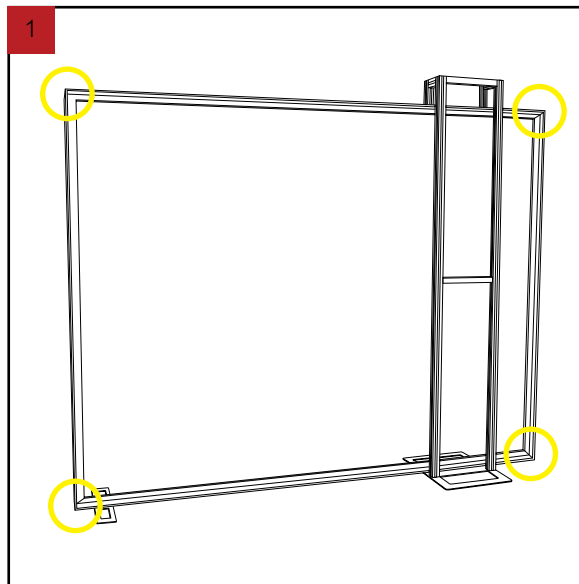
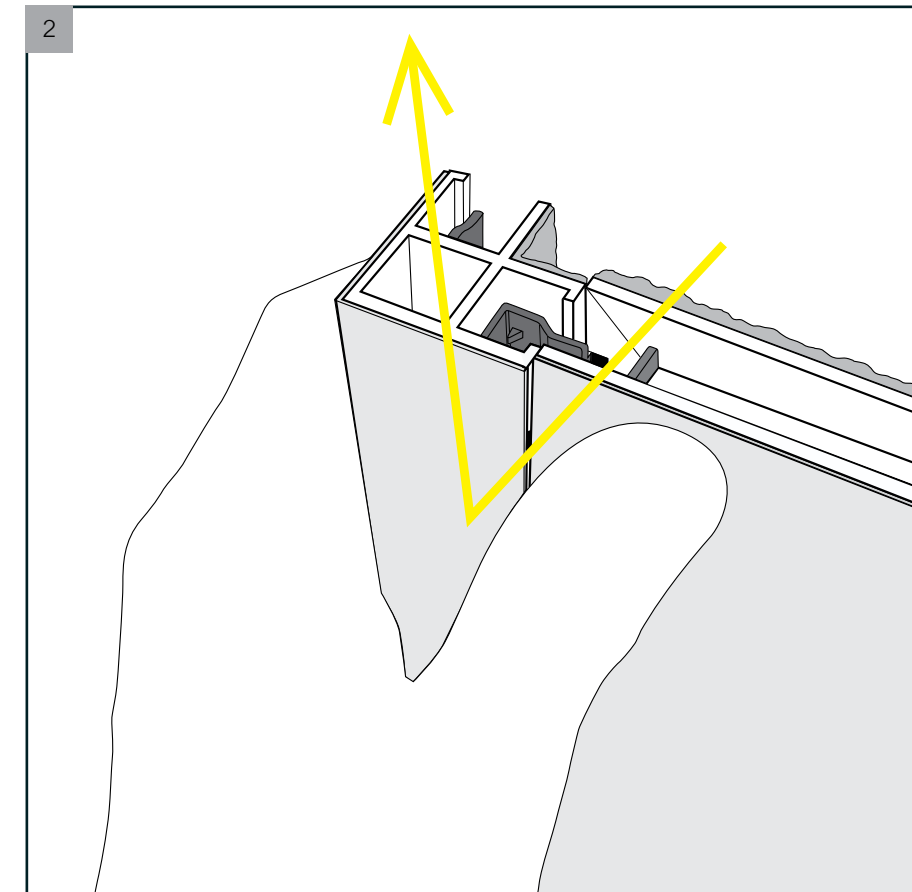
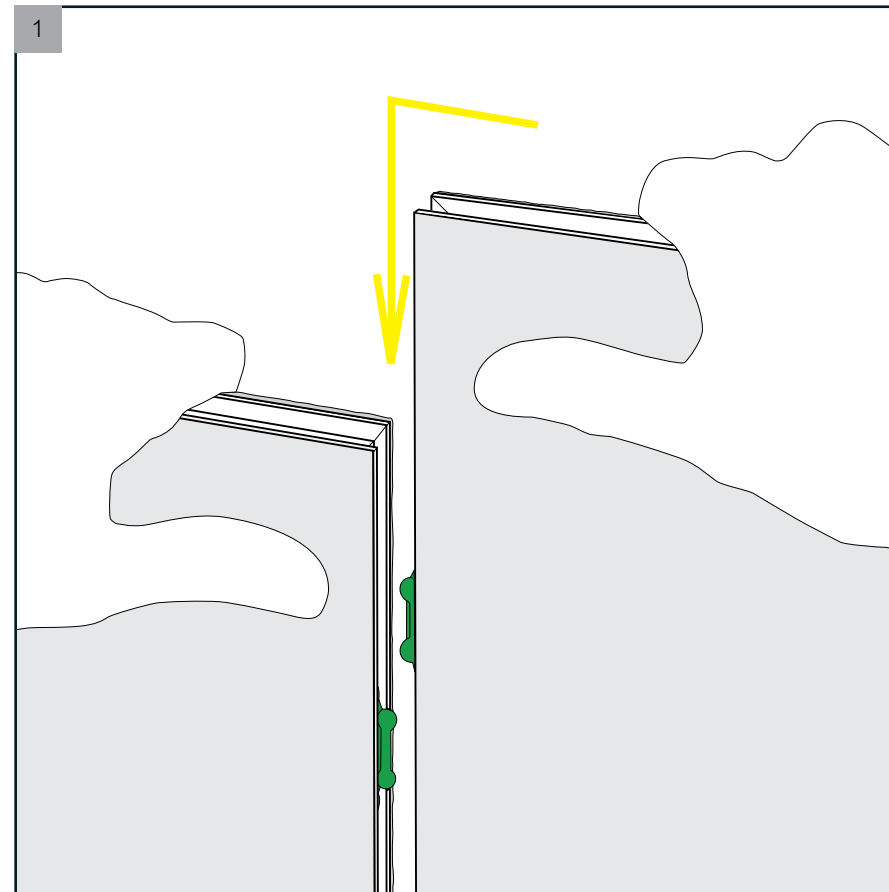
Baseplate Connection for Vertical Extrusions

## ECO Panel Install

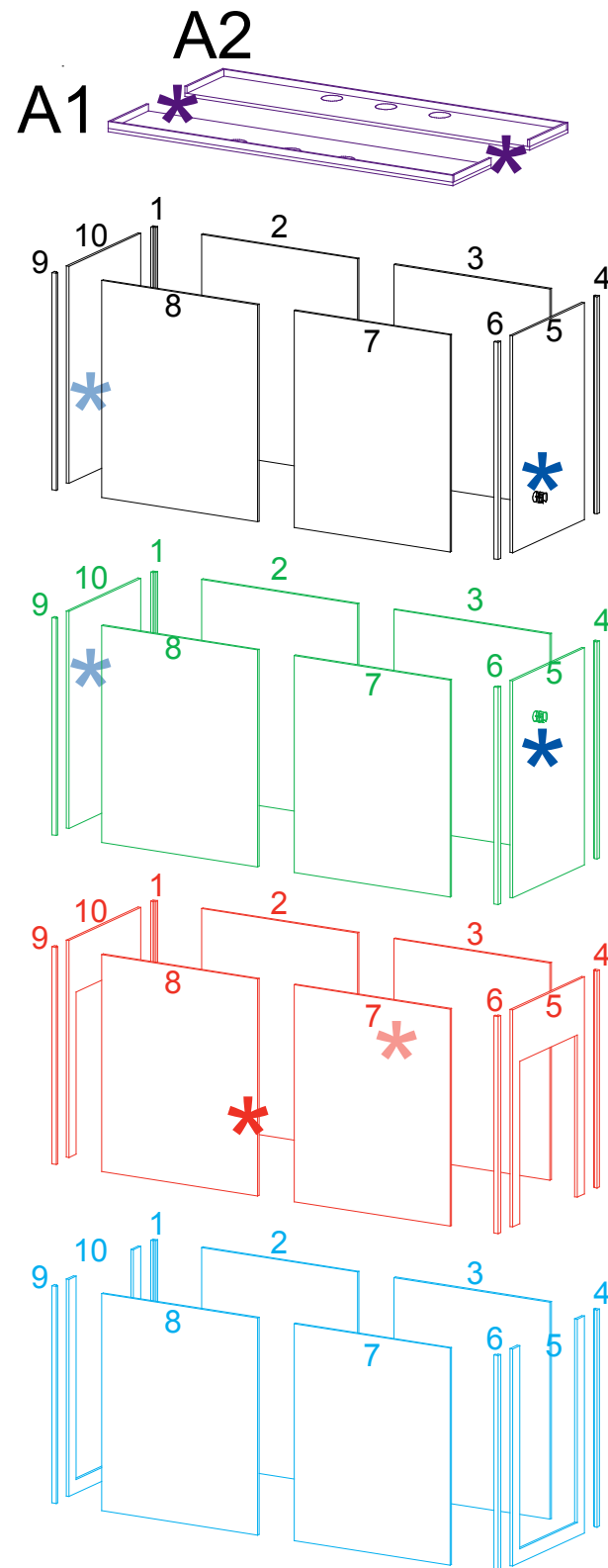
- 1 Place ECO panel together with a vertical offset, slide down to lock connector in place.
- 2 Panel Corner Connectors are installed just like ECO panels. Remove by off-setting top lock clips horizontally followed by separating vertically.

## SEG Graphic Install

- 1 Graphic is installed corners first. This allows a proportional fit around the perimeter of the extrusion.
- 2 Locate channels along the edge of the extrusions.
- 3 Fold over graphic (hiding threads) and tuck silicon edge and fabric into corners.
- 4 After corners are complete, slide in the rest of the graphic into channel. (From edges to center)
- 5 Graphic is installed. Stand back and be amazed!

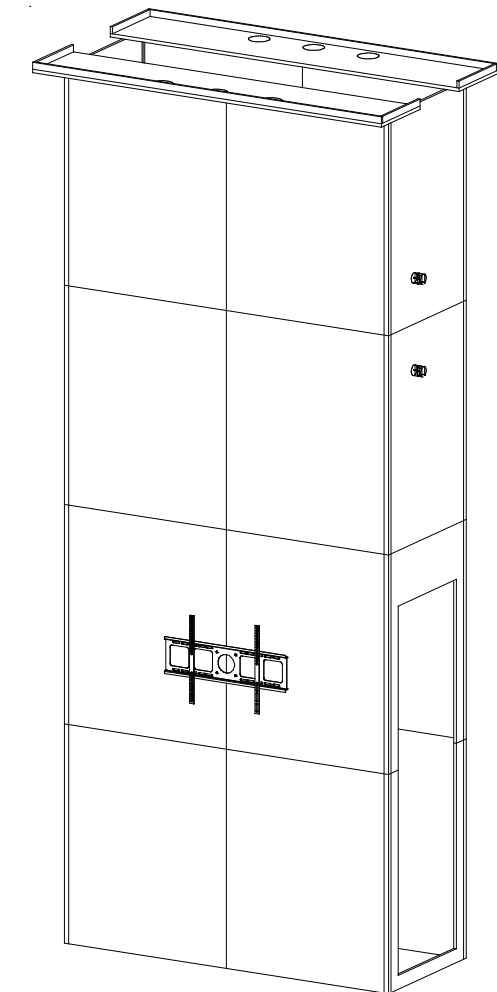
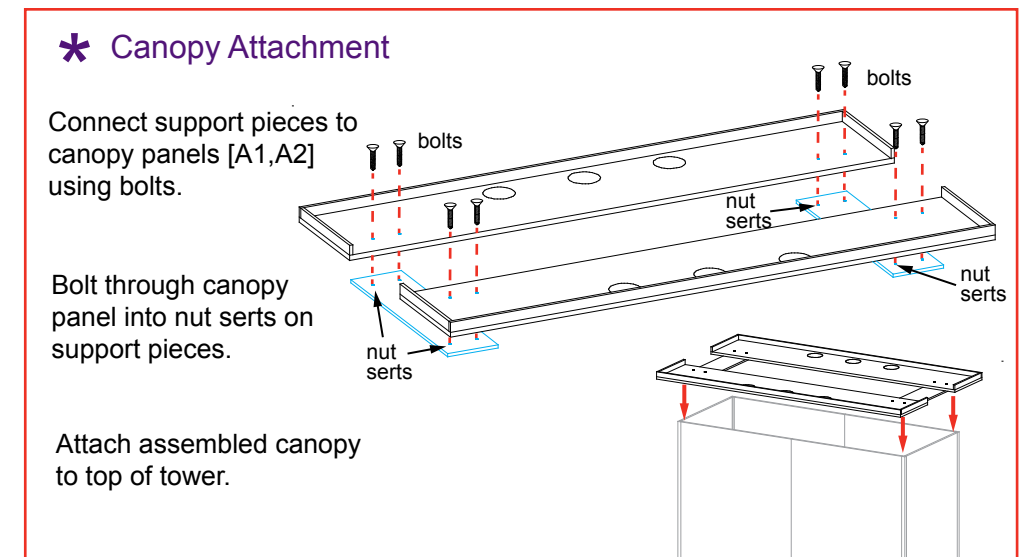
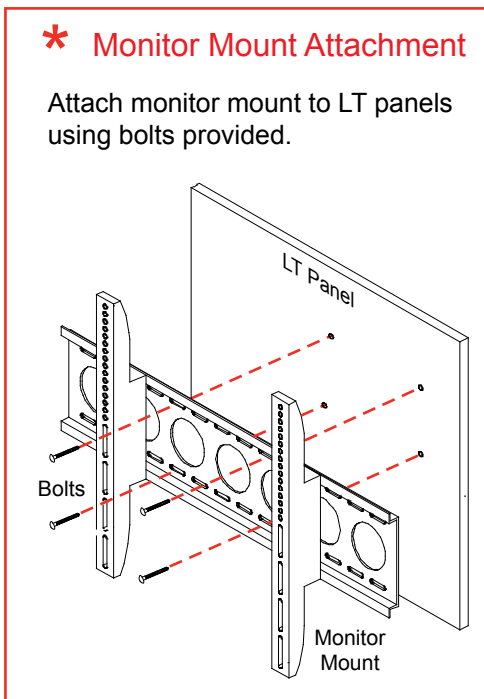
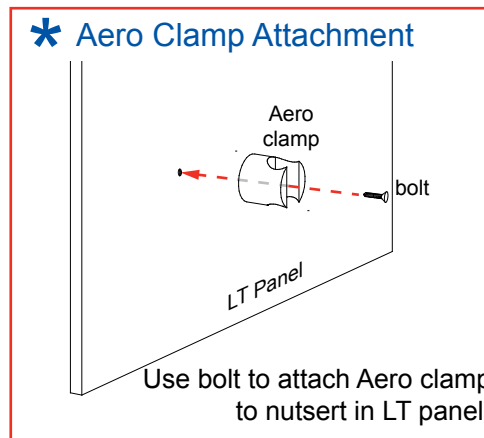


Item	Qty.	Description
A1/A2	1/1	Canopy w/ puck lights
1	1	47.5"h 90° connector
2	1	38"w x 47.5"h Panel
3	1	38"w x 47.5"h Panel
4	1	47.5"h 90° connector
5	1	30"w x 47.5"h Panel
6	1	47.5"h 90° connector
7	1	38"w x 47.5"h Panel
8	1	38"w x 47.5"h Panel
9	1	47.5"h 90° connector
10	1	30"w x 47.5"h Panel
1	1	47.5"h 90° connector
2	1	38"w x 47.5"h Panel
3	1	38"w x 47.5"h Panel
4	1	47.5"h 90° connector
5	1	30"w x 47.5"h Panel
6	1	47.5"h 90° connector
7	1	38"w x 47.5"h Panel
8	1	38"w x 47.5"h Panel
9	1	47.5"h 90° connector
10	1	30"w x 47.5"h Panel
1	1	47.5"h 90° connector
2	1	38"w x 47.5"h Panel
3	1	38"w x 47.5"h Panel
4	1	47.5"h 90° connector
5	1	30"w x 47.5"h Door Panel
6	1	47.5"h 90° connector
7	1	38"w x 47.5"h Panel
8	1	38"w x 47.5"h Panel
9	1	47.5"h 90° connector
10	1	30"w x 47.5"h Door Panel
1	1	47.5"h 90° connector
2	1	38"w x 47.5"h Panel
3	1	38"w x 47.5"h Panel
4	1	47.5"h 90° connector
5	1	30"w x 47.5"h Door Panel
6	1	47.5"h 90° connector
7	1	38"w x 47.5"h Panel
8	1	38"w x 47.5"h Panel
9	1	47.5"h 90° connector
10	1	30"w x 47.5"h Door Panel



**Steps:**

- 1) Assemble lower panels & connectors [1] through [10] in numerical order, as shown.
- 2) Connect lower middle panels [1] through [10].
- 3) Attach upper middle panels [1] through [10].
- 4) Install upper panels [1] through [10].
- 5) Connect canopy panels [A1,A2] to top of assembly. See [Canopy Attachment](#) detail.
- 6) Attach Aero Clamp to outside of panels [5,5,10,10]. See [Aero Clamp Attachment](#) detail.
- 7) Install Monitor Mounts to front & back of tower; securing mounts to panels [7,8] & [2,3].
- 8) Connect power cords to canopy puck lights.



When assembled

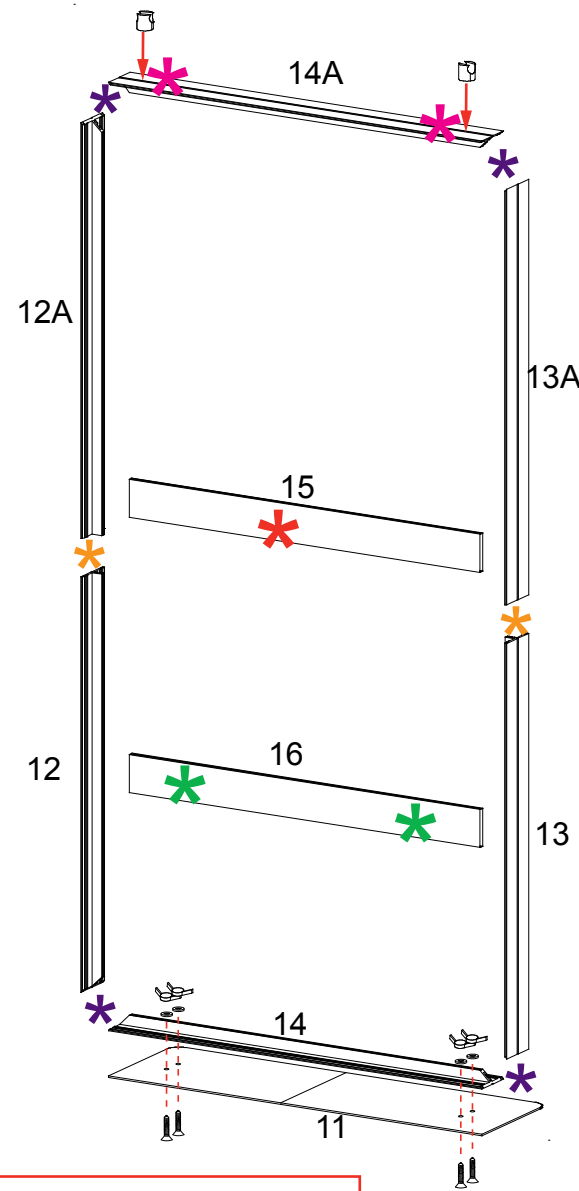


Item	Qty.	Description
11	2	Base Plate (2 parts each)
12/12A	2/2	60”h CEI152 Vertical Extrusion
13/13A	2/2	60”h CEI152 Vertical Extrusion
14/14A	2/2	60”w CEI152 Horizontal Extrusion
15	2	56.35”w Z140 Horizontal Extrusion
16	2	56.35”w Z140 Horizontal Extrusion

**Steps:**

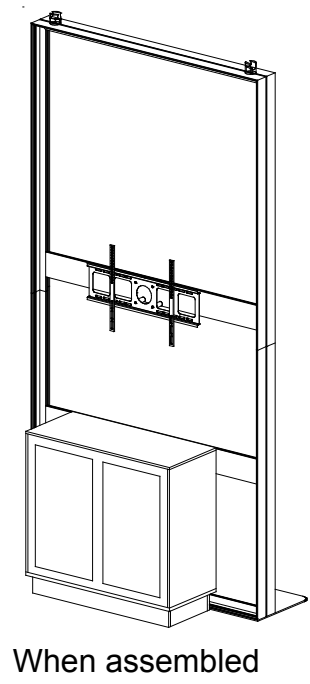
- 1) Attach left & right halves of Base Plate [11] to horizontal [14] using bolts & wing nuts.
- 2) Connect verticals [12-12A] & [13-13A] together. See **CEI-152 Straight Connection** detail.
- 3) Attach horizontals [14, 14A] between vertical assemblies [12/12A], [13/13A]. See **CEI-152 Corner Connection** detail.
- 4) Install horizontals [15, 16] between verticals as shown.
- 5) Apply SEG graphic to front of assembled frame.
- 6) Install Monitor Mount to horizontal [15]. See **Monitor Mount Attachment** detail.
- 7) Attach Cabinet to horizontal [16]. See **Cabinet Attachment** detail.
- 8) Apply SEG graphic to back of frame assembly.
- 9) Attach Aero Clips to top of horizontal [14A]. See **Aero Clamp Attachment** detail.

Repeat steps 1 through 9 for other frame.



**\* Aero Clamp Attachment**

Slide V20 connector into groove of horizontal extrusion.  
Connect Aero Clamp to V20 using bolt.



When assembled

Qty 2

**\* Monitor Mount Attachment**

Attach Stand-off Barrels to Mounting Plate. Install graphic to frame; install monitor mount to Stand-off Barrels.

Note: Monitor Mount installs over SEG graphic.

**\* Cabinet Attachment**

Attach cabinet to horizontals using standoff barrels & standoff caps.

**\* CEI-152 Corner Connection**

- 1) Insert TSRV2 and A1 Brackets into milled groove of extrusion.
- 2) Slide connecting extrusion over exposed end of brackets.
- 3) Use Set screws to secure extrusions.
- 4) Use Set screws to secure extrusions.

**\* CEI-152 Straight Connection**

- 1) Insert TSRV4 Bracket into milled groove of Extrusion.
- 2) Slide connecting extrusion over exposed end of bracket.
- 3) Use Set screws to secure extrusions.

**SEG Graphic Installation**

It is important to first insert graphic into each alternate corner then to the sides of the frame. If this is not done, graphic will not fit into the frame correctly.

**Step 1**  
Insert corner A. Turn edge of graphic so silicon welt is perpendicular to face of graphic. Insert narrow side of welt with fabric to outside into the channel. Repeat for other side of this corner.

**Step 2**  
Repeat Step 1 for opposite corner C, then insert corner B, followed by corner D, to complete the installation of the corners.

**Step 3**  
Once all corners are inserted, press one silicon edge into channel from corners and work toward the center. Make sure welt is fully inserted into channel. Continue until all sides are done. Smooth out edges of graphic.

**Graphic Removal**  
To remove the graphic from the frame, locate the fabric pull tab. Gently pull up on the tab to remove the fabric.

# AERO

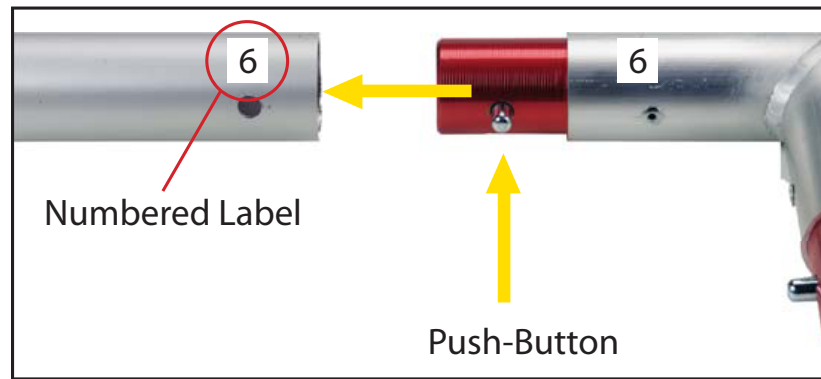
## Using Your Setup Instructions

The Aero Overhead Sign Setup Instructions are created specifically for your configuration. They include an exploded view of the frame which is sequentially numbered. We encourage you to study the instructions before attempting to assemble your exhibit.

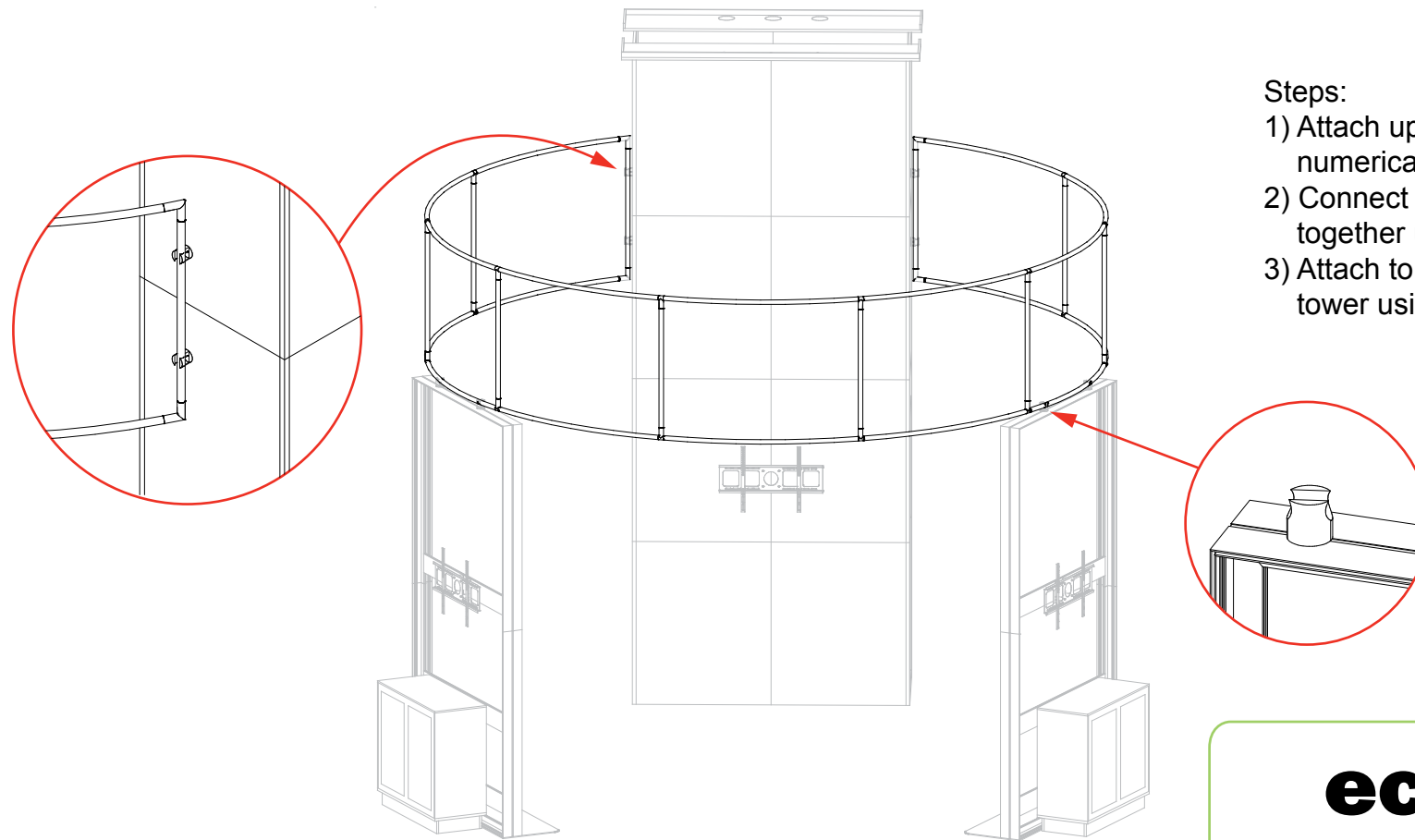
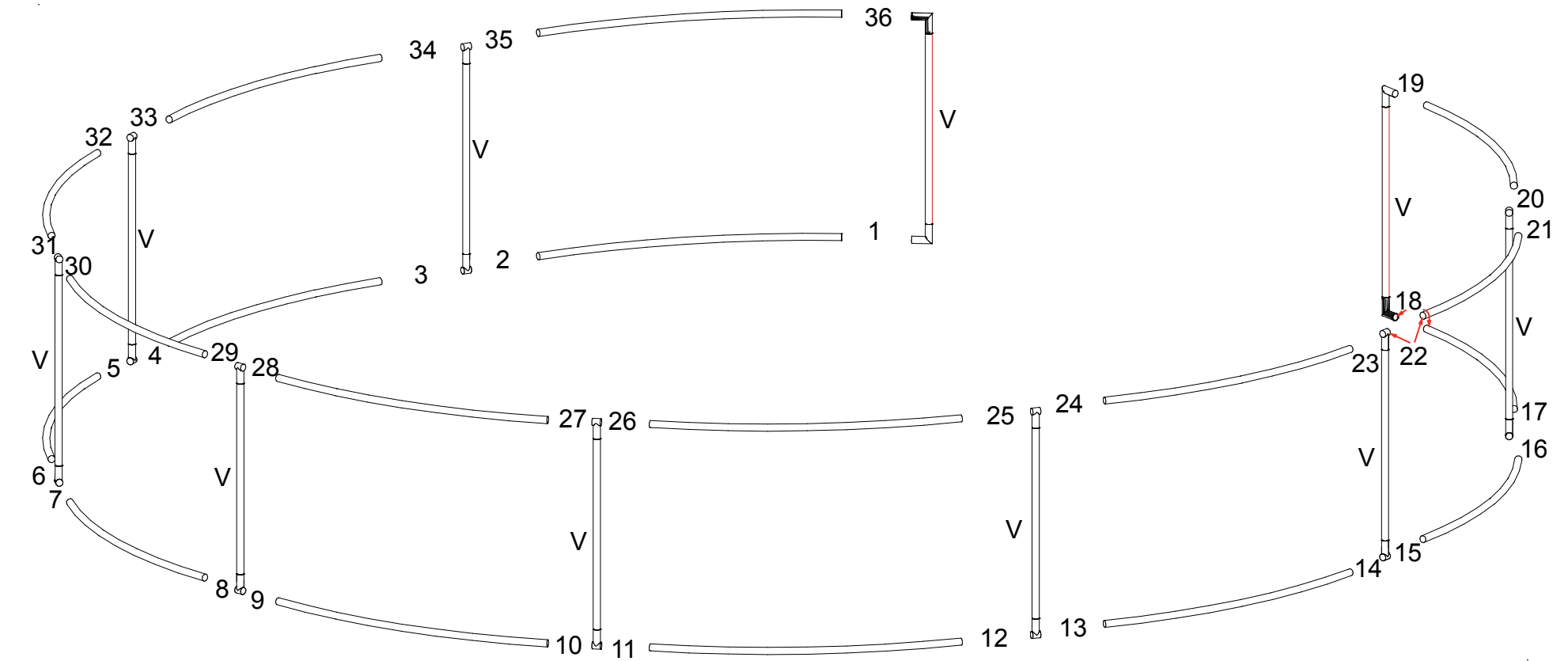
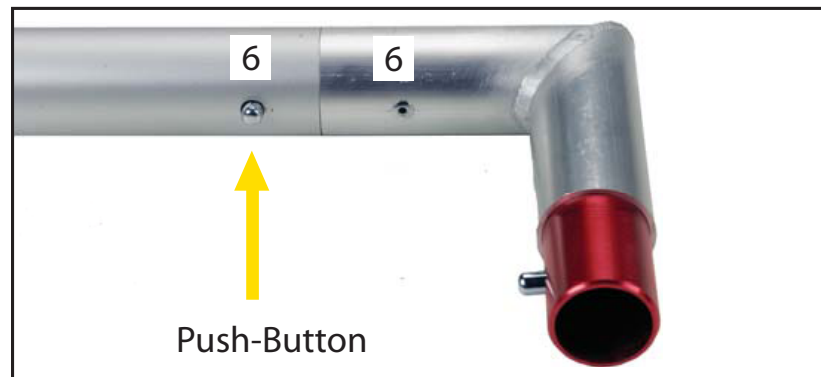
Connections are kept very simple: no tools. Everything assembles with push-button connectors and pre-connected horizontal sections.

## Cleaning and Packing Your Display

- 1) Use care when cleaning aluminum extrusion or acrylic inserts. Use only non-abrasive cleaners.
- 2) Retain all packing material. It will make re-packing much easier and will reduce the likelihood of shipping damage.



Connections are made by holding the button down and sliding the red tube into opposing tube until the connection is made. To disassemble push button and pull or twist extrusions apart.



### Steps:

- 1) Attach upper & lower pieces together in numerical order as shown.
- 2) Connect upper section to lower section together using verticals [V].
- 3) Attach to top of lightboxes and sides of tower using Aero clips.

## Step 3

**eco**systems™

SUSTAINABLE EXHIBITS

YOUR BRAND. YOUR DESIGN. YOUR PLANET.