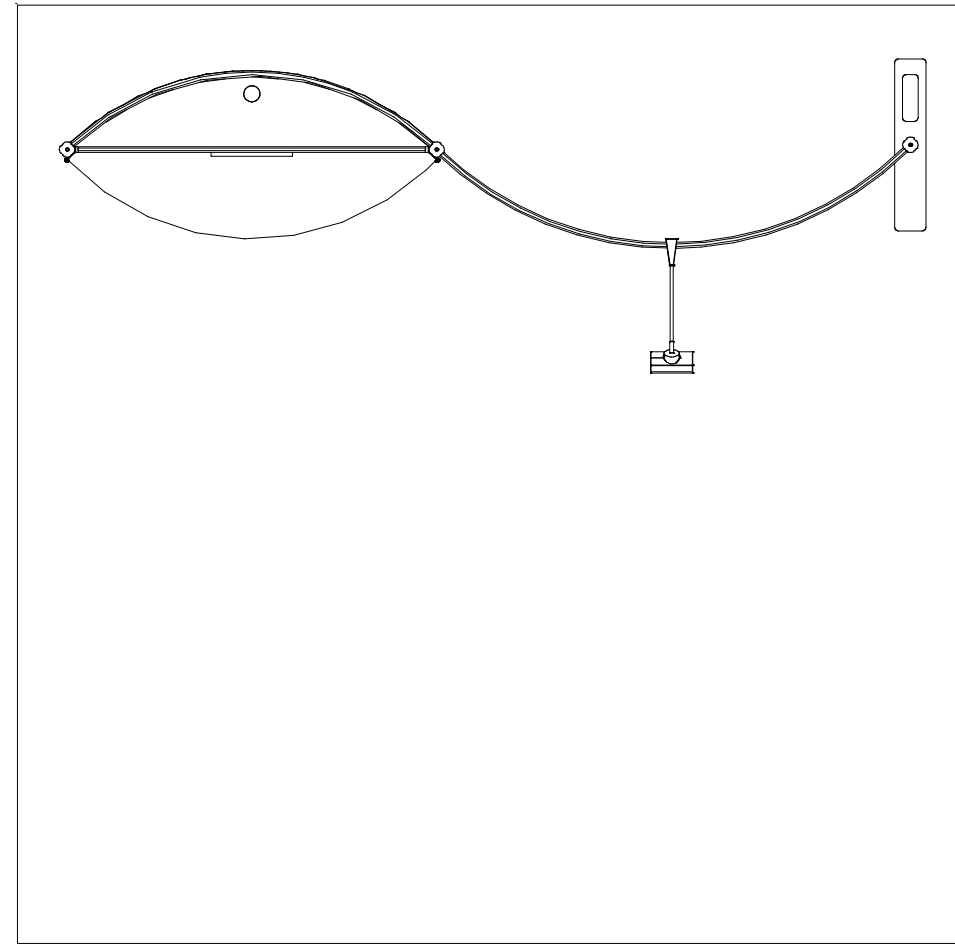


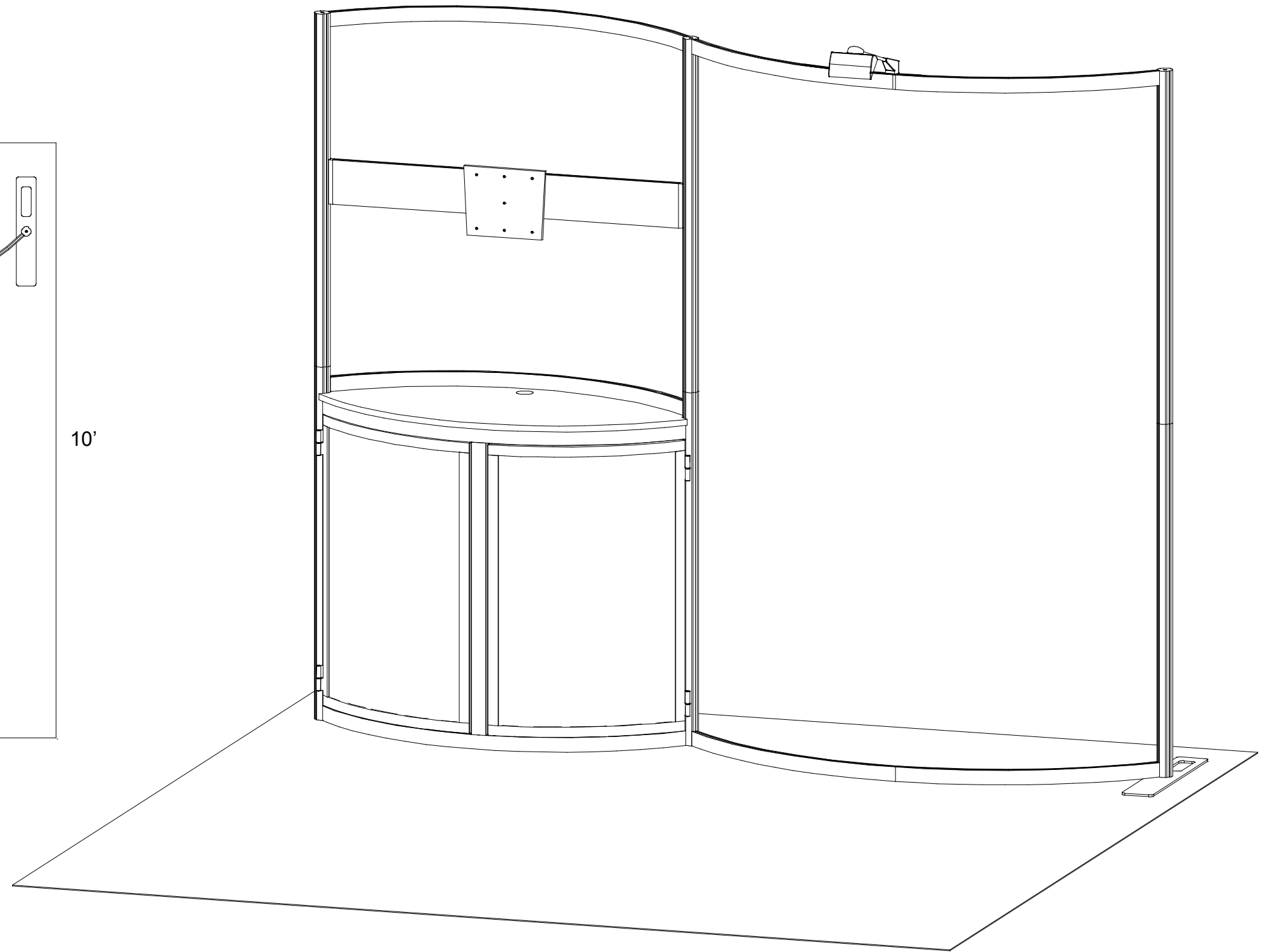
Order #XXXXX - ECO-1069- 10' x 10' Sustainable Exhibit



Plan View

10'

10'



Setups

General Setup Instructions

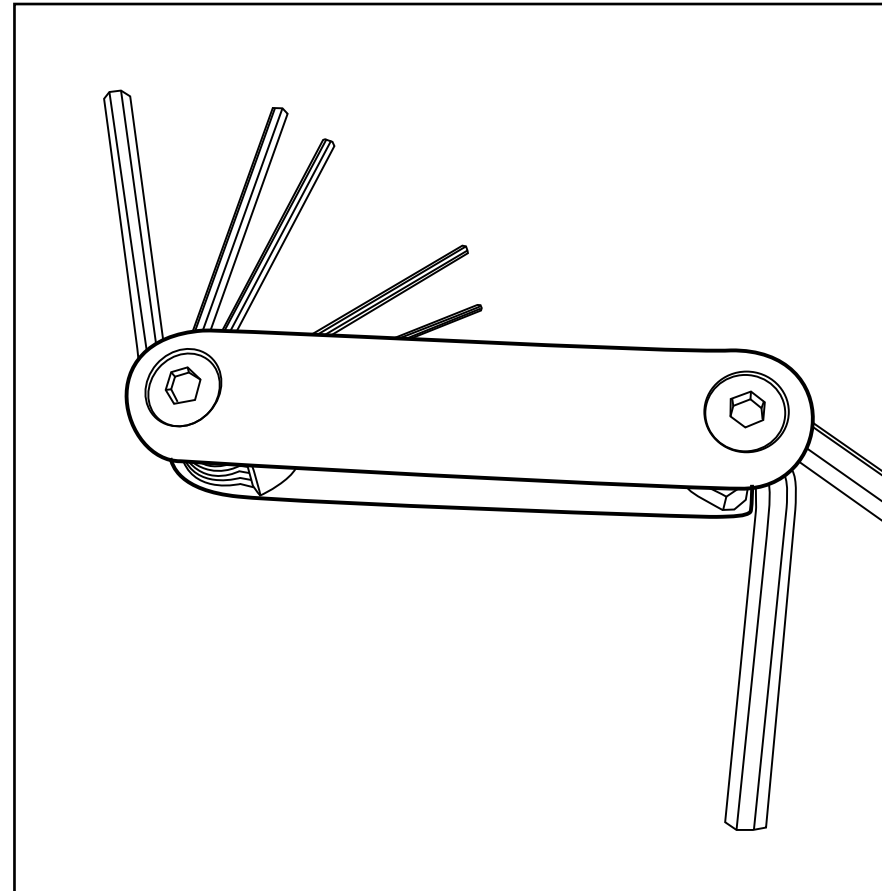
- The setup instructions are created specifically for your configuration.
- Setup instructions are laid out sequentially in levels, including exploded views and a logical series of steps for assembly. We encourage you to study the instructions before attempting to assemble your exhibit.

Cleaning and Packing

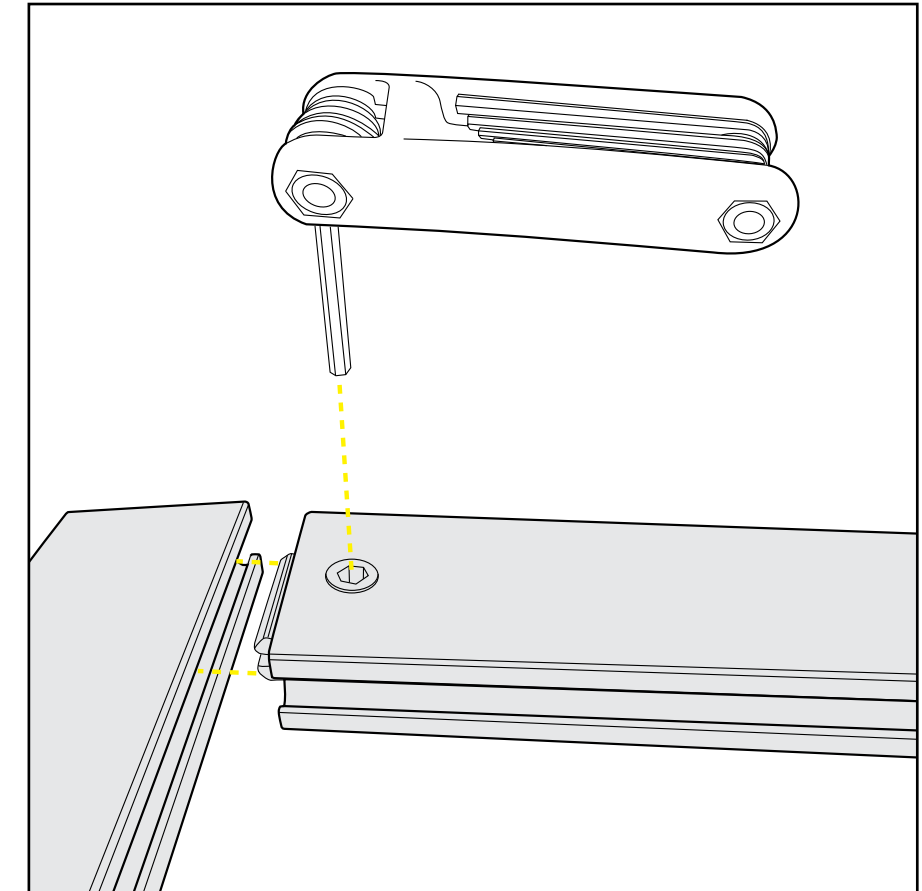
- Use non-abrasive cleaners when cleaning extrusions or ECO Glass inserts.
- Use mild cleaners and soft materials such as cotton to clean all laminates.
- Keep exhibit components away from extreme heat and long exposure to sun light. This will prevent warping and fading.
- Retain all packing material for ease of re-packing. This protects the exhibit components and keeps each part organized.

Disassembling

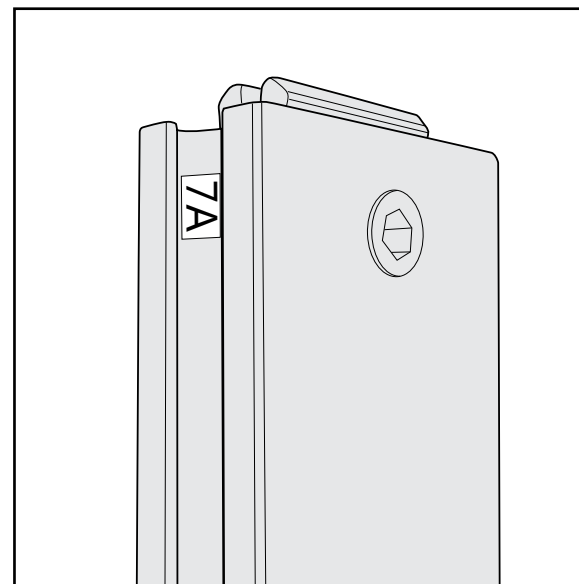
- When disassembling exhibit, tighten all setscrews to prevent loss of hardware in the shipping process.



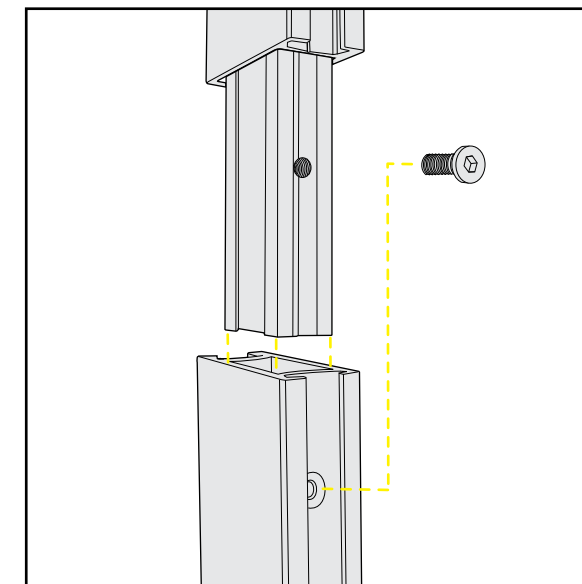
Hex Tool for Assembling Exhibit



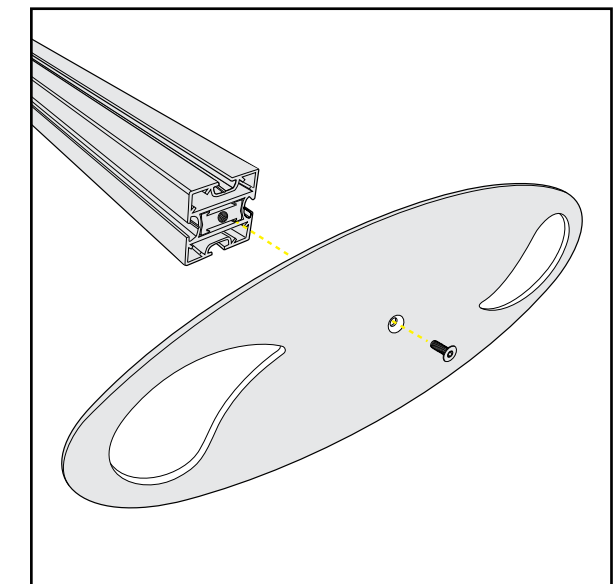
Extrusion Lock Connectors



Numbering Instructions for Setups/Packing



Inline Connection between Extrusions



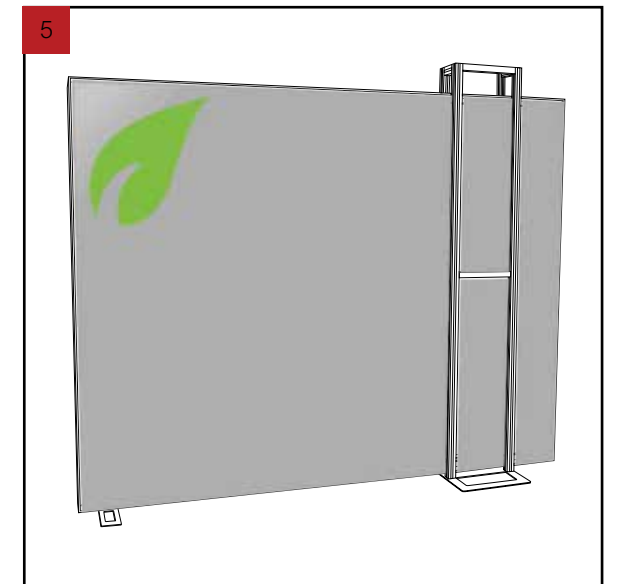
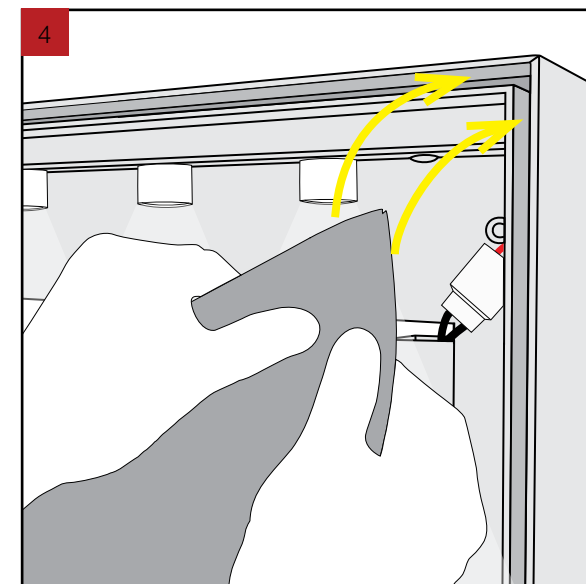
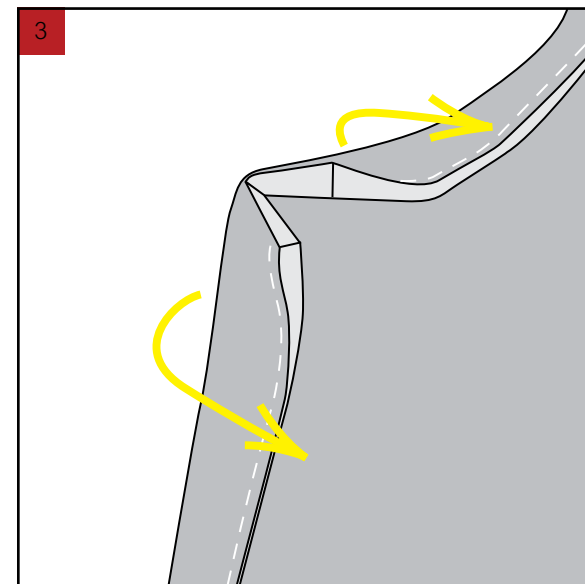
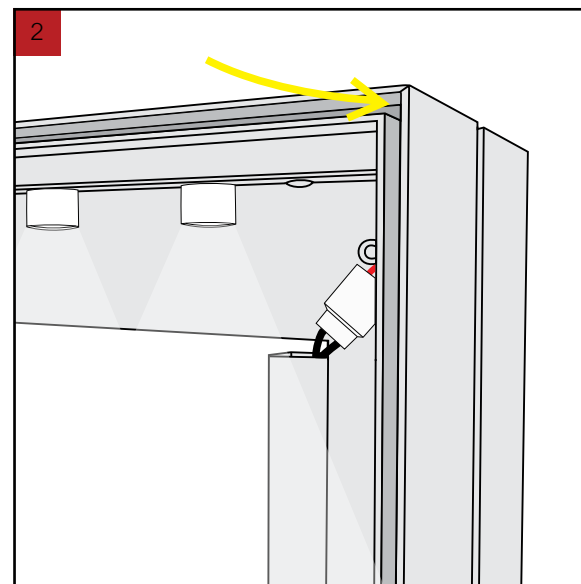
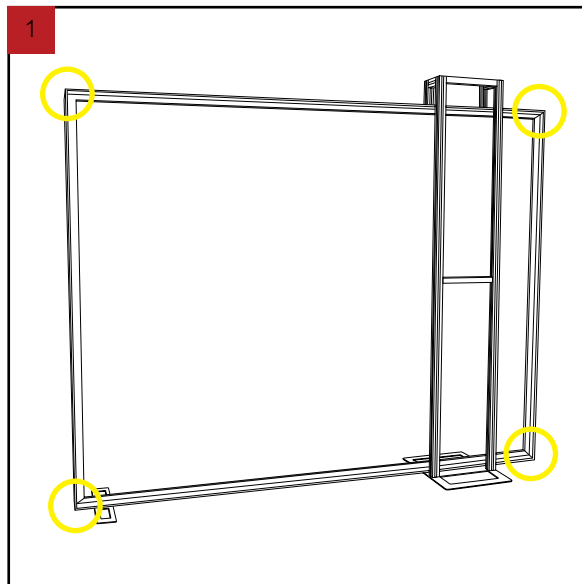
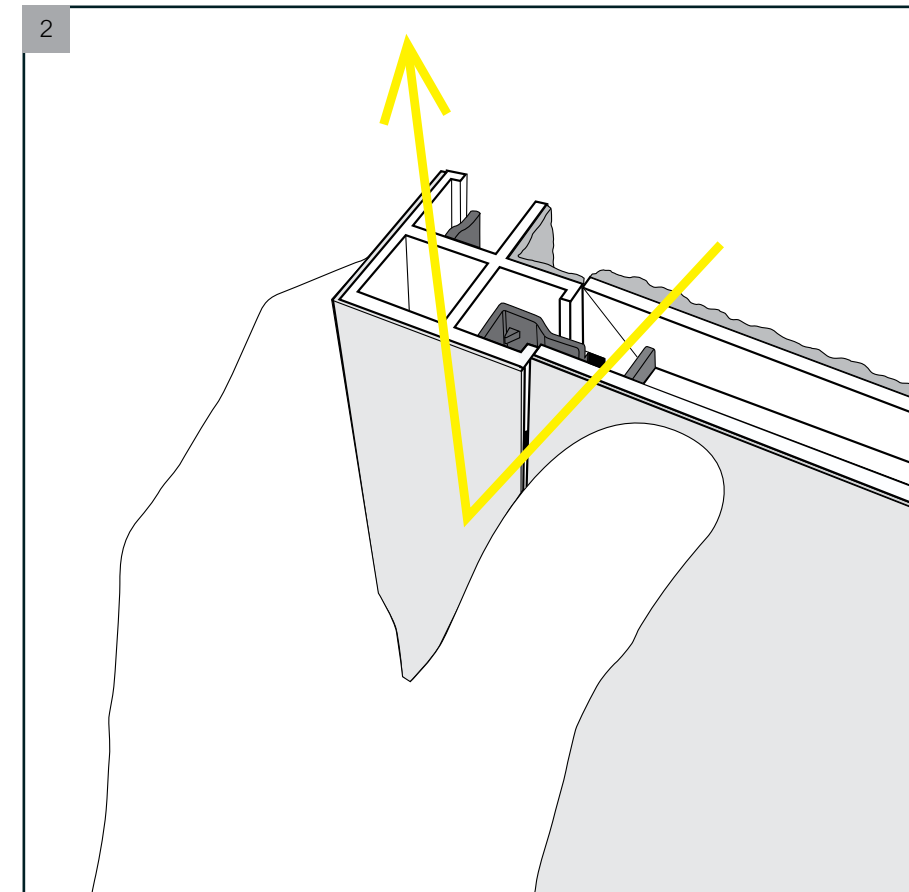
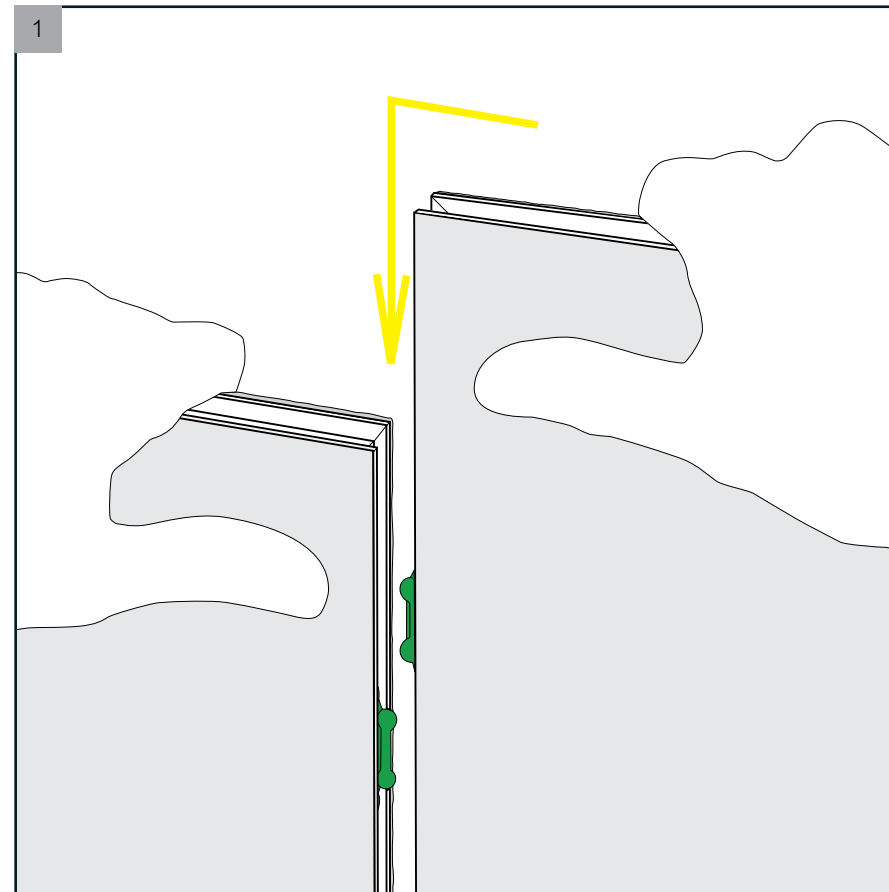
Baseplate Connection for Vertical Extrusions

ECO Panel Install

- 1 Place ECO panel together with a vertical offset, slide down to lock connector in place.
- 2 Panel Corner Connectors are installed just like ECO panels. Remove by off-setting top lock clips horizontally followed by separating vertically.

SEG Graphic Install

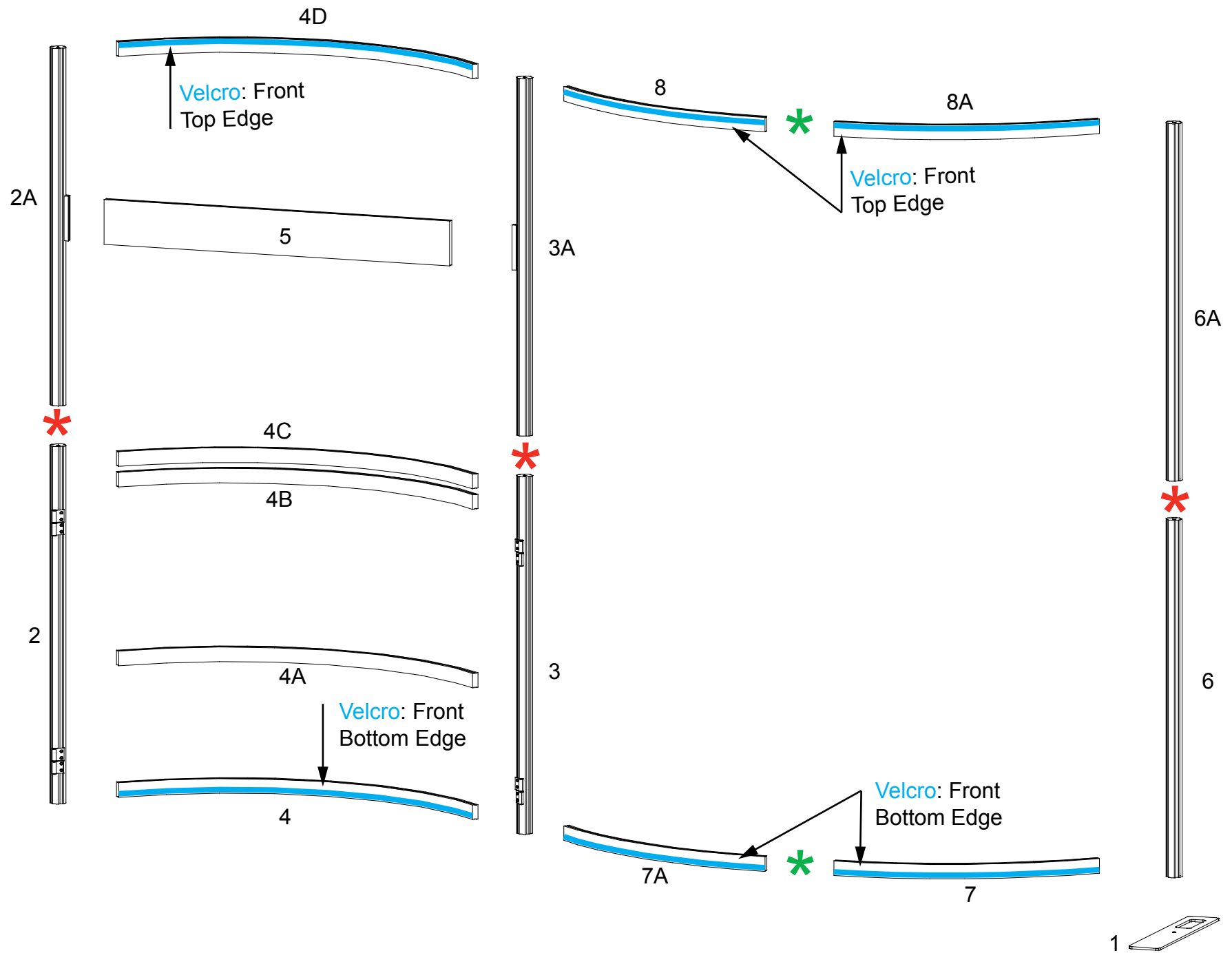
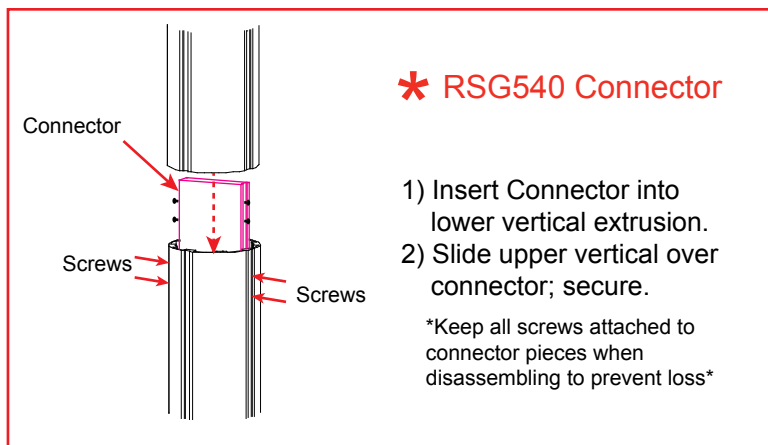
- 1 Graphic is installed corners first. This allows a proportional fit around the perimeter of the extrusion.
- 2 Locate channels along the edge of the extrusions.
- 3 Fold over graphic (hiding threads) and tuck silicon edge and fabric into corners.
- 4 After corners are complete, slide in the rest of the graphic into channel. (From edges to center)
- 5 Graphic is installed. Stand back and be amazed!



Item	Qty.	Description
1	2	Base Plate
2/2A	1/1	44”h RSG540 Vertical Extrusion
3/3A	1/1	44”h RSG540 Vertical Extrusion
4/4A-D	5	51.134”w Z45 Curved Horizontal Extrusion
5	1	44.292”w Mounting Plate
6/6A	1/1	44”h Vertical Extrusion
7/7A	1/1	33”w Curved Horizontal Extrusion
8/8A	1/1	33”w Curved Horizontal Extrusion

Steps:

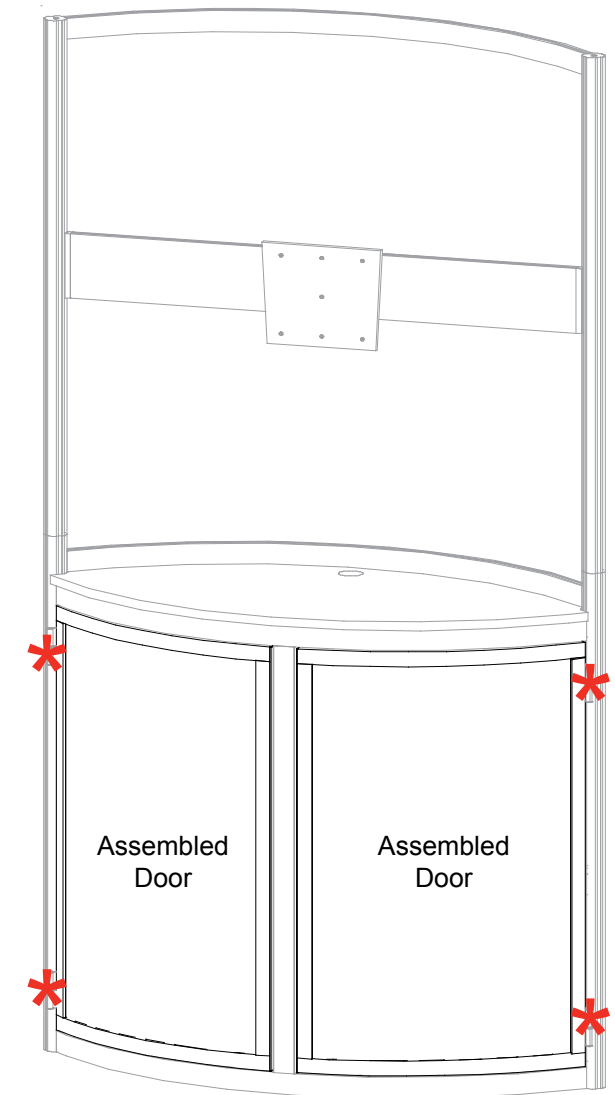
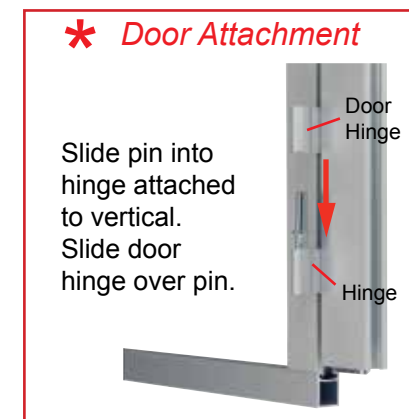
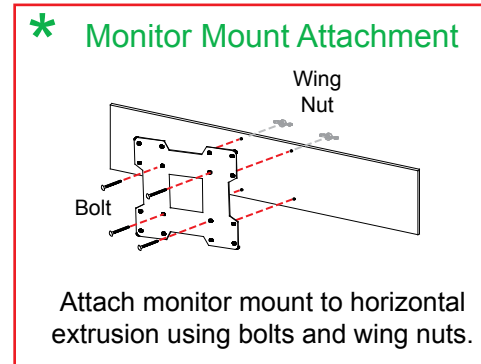
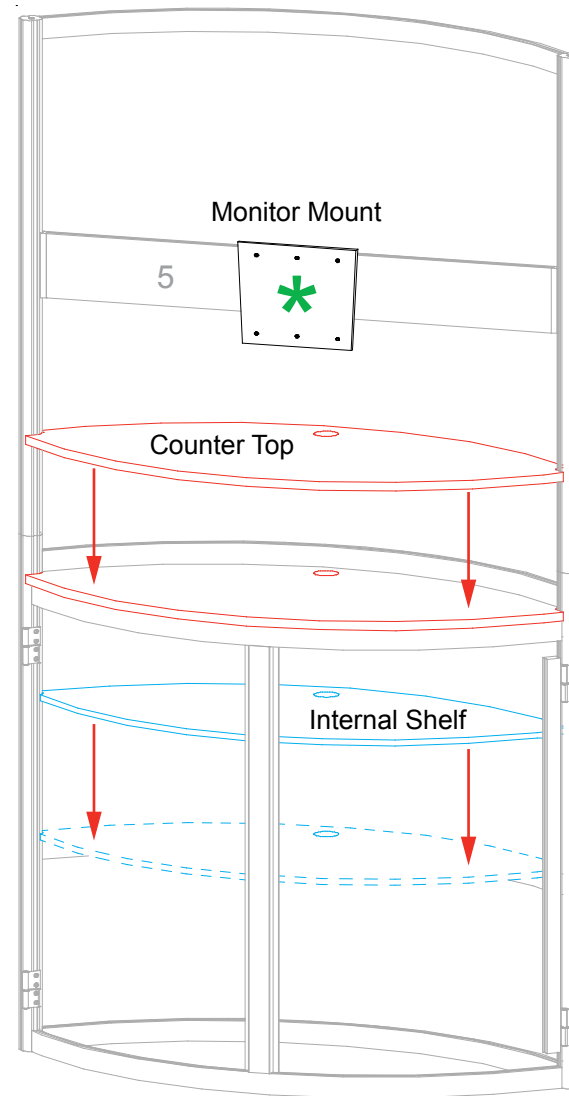
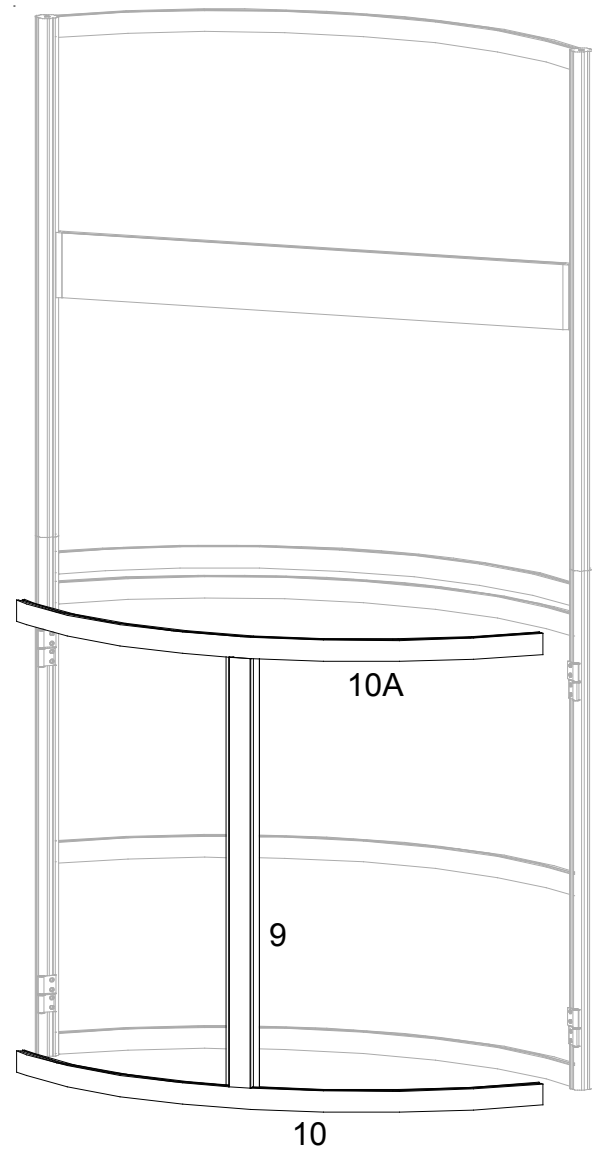
- 1) Assemble verticals [2] & [2A] together.
See RDG540 Connector detail.
Repeat step for assembling verticals [3] & [3A].
- 2) Connect horizontals [4] & [4A-D] between vertical assemblies.
- 3) Attach horizontal mounting plate [5] between verticals.
- 4) Assemble verticals [6] & [6A] together.
See RSG540 Connector detail
- 5) Attach base plate to vertical assemblies [6/6A].
- 6) Assemble horizontals [7] & [7A] together.
See Straight Connection detail
Repeat step for horizontals [8/8A].
- 7) Attach horizontal assemblies [7/7A] & [8/8A] between verticals [3/3A] & [6/6A].



Steps:

- 1) Connect horizontal [10] between verticals [2] & [3].
- 2) Attach vertical [9] to the center point of horizontal [10].
- 3) Connect horizontal [10A] between verticals [2] & [3] and on top of vertical [9].
- 4) Install Shelf Supports and place internal shelf on supports.
- 5) Place Counter Top on top of assembled workstation body.
- 6) Install Monitor Mount to horizontal [5].
See [Monitor Mount Attachment](#) detail.
- 7) Hang Cabinet Doors on hinges located on verticals [2] & [3].
See [Door Attachment](#) detail.

Item	Qty.	Description
9	1	33.66"h Z45 Vertical Extrusion w/ Door Stops
10/10A	1/1	52.03"w Curved Horizontal Extrusion



Steps:
1) Attach lights in desired location on upper horizontal of assembled backwall. See Light Attachment detail for more information.

