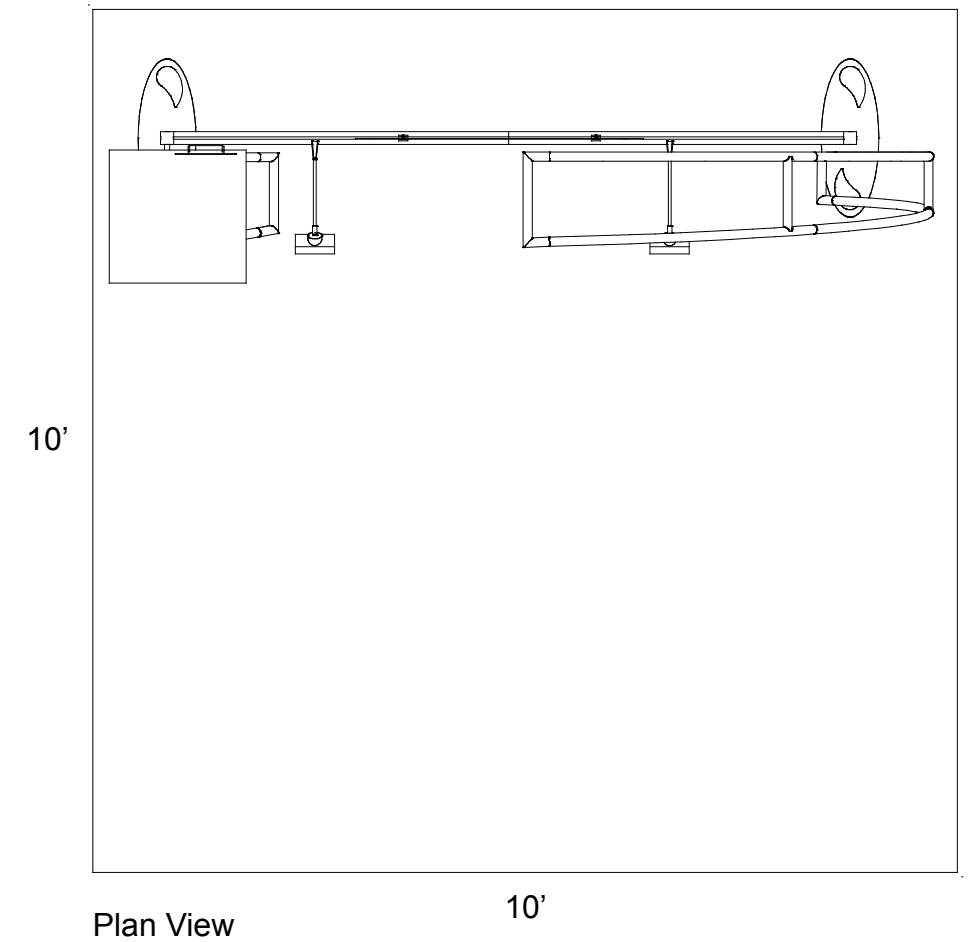
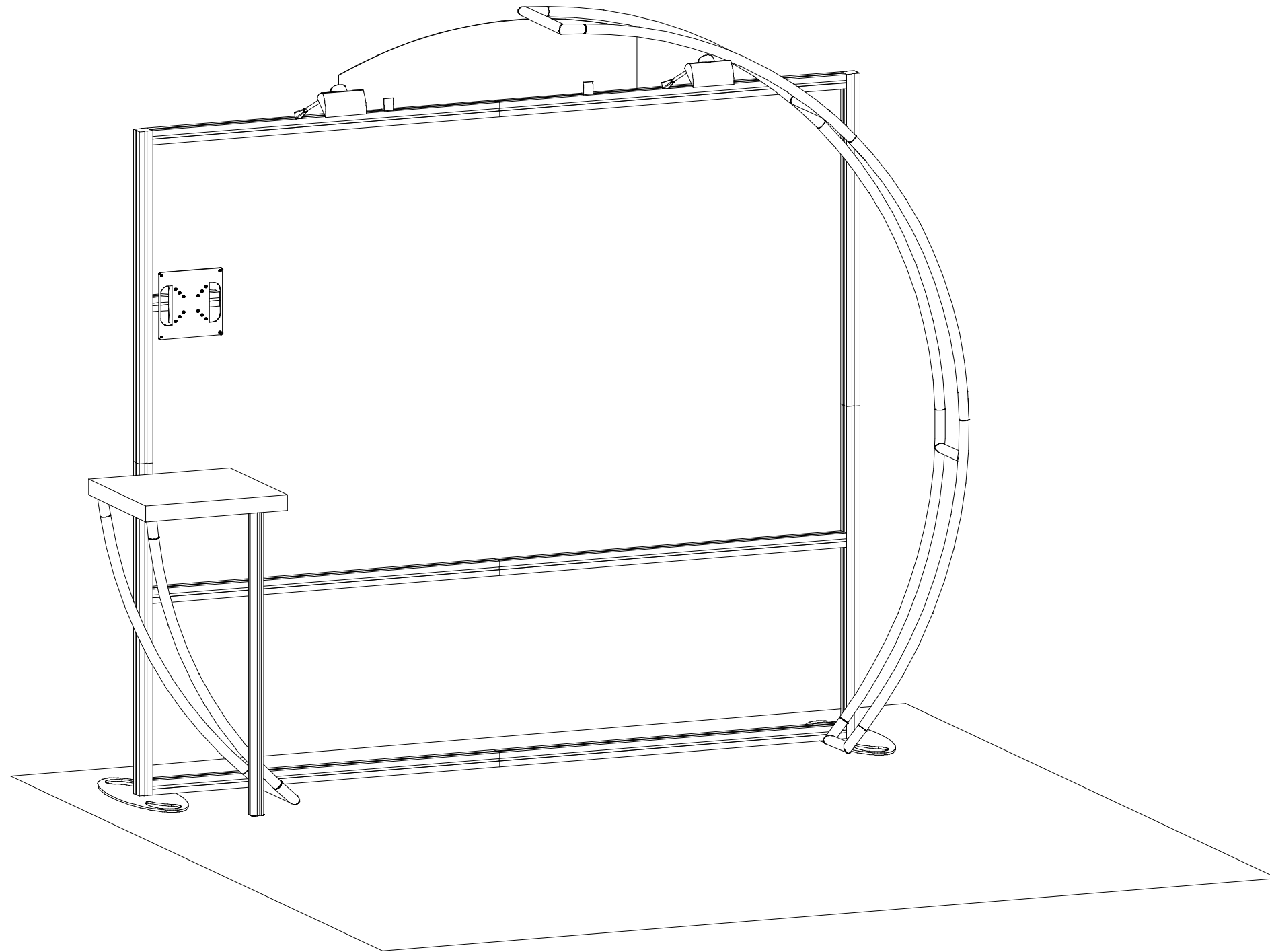


Order #XXXXX - ECO-1009 Sustainable Exhibit - 10'x10' Configuration



## General Setup Instructions

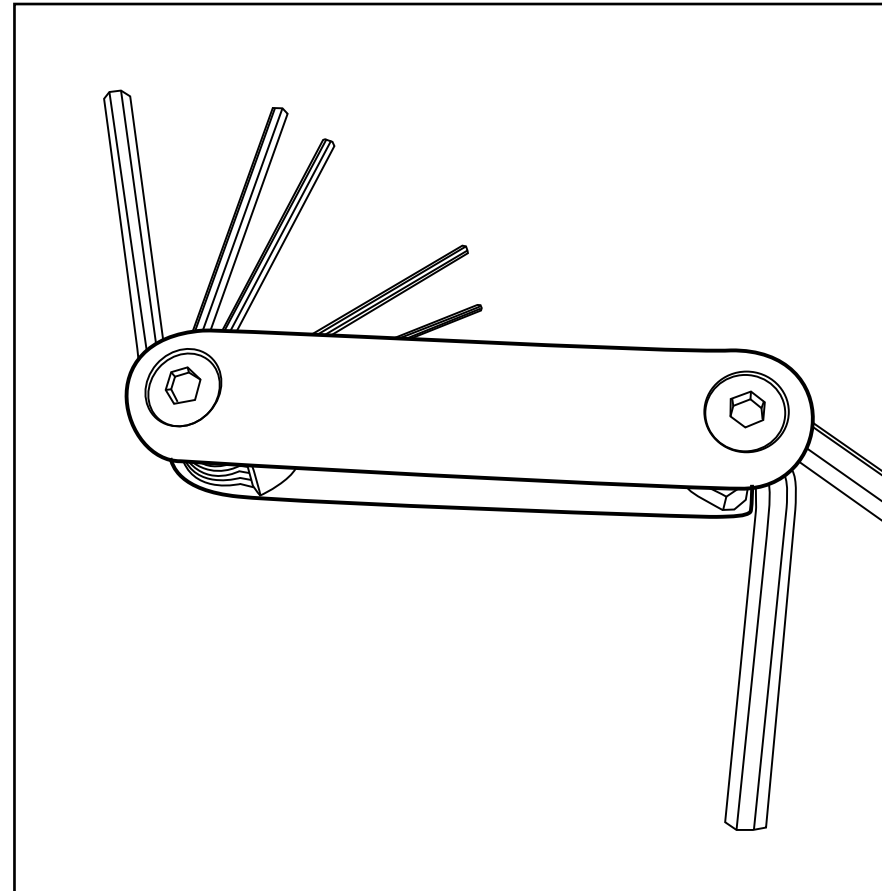
- The setup instructions are created specifically for your configuration.
- Setup instructions are laid out sequentially in levels, including exploded views and a logical series of steps for assembly. We encourage you to study the instructions before attempting to assemble your exhibit.

## Cleaning and Packing

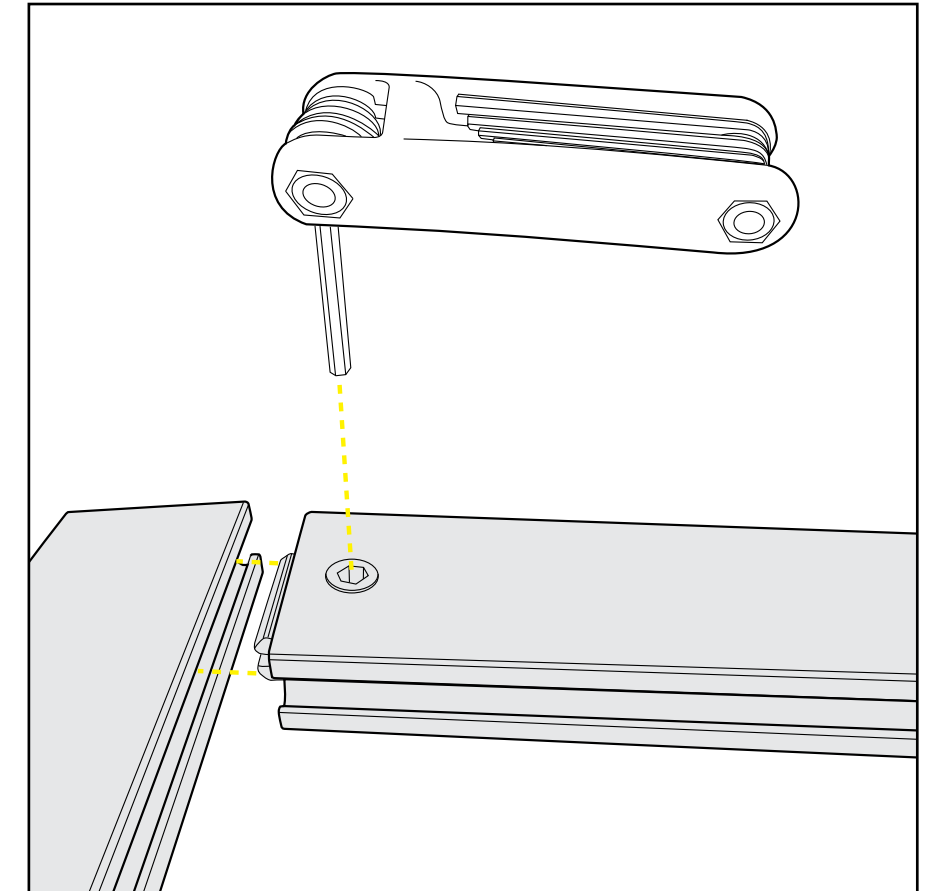
- Use non-abrasive cleaners when cleaning extrusions or ECO Glass inserts.
- Use mild cleaners and soft materials such as cotton to clean all laminates.
- Keep exhibit components away from extreme heat and long exposure to sun light. This will prevent warping and fading.
- Retain all packing material for ease of re-packing. This protects the exhibit components and keeps each part organized.

## Disassembling

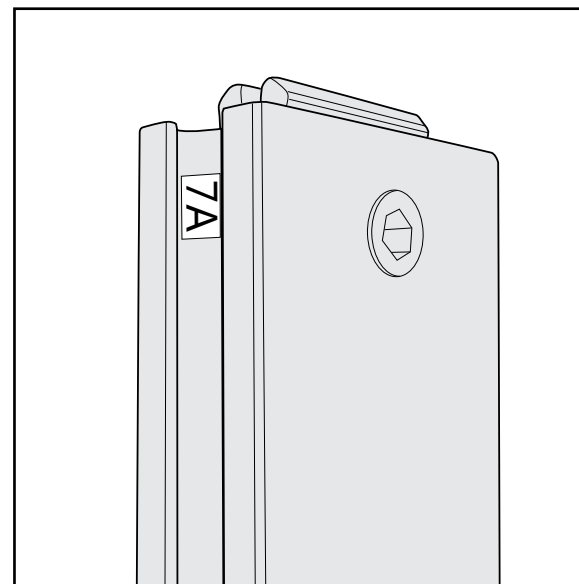
- When disassembling exhibit, tighten all setscrews to prevent loss of hardware in the shipping process.



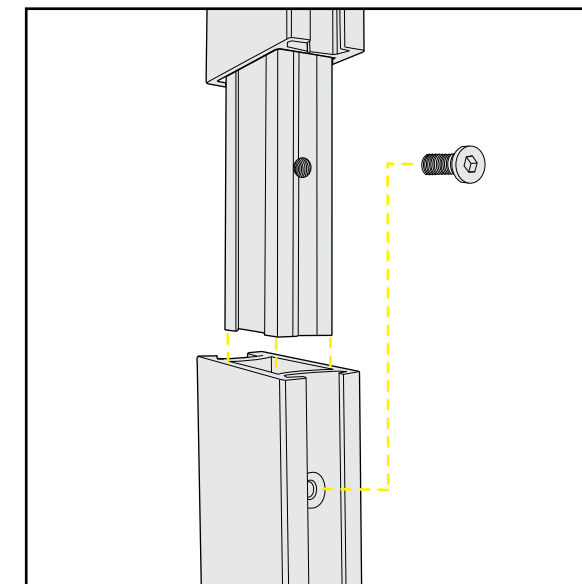
Hex Tool for Assembling Exhibit



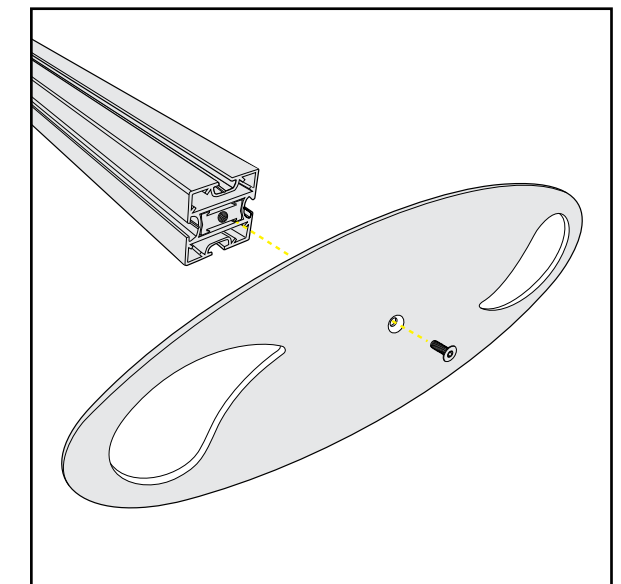
Extrusion Lock Connectors



Numbering Instructions for Setups/Packing



Inline Connection between Extrusions



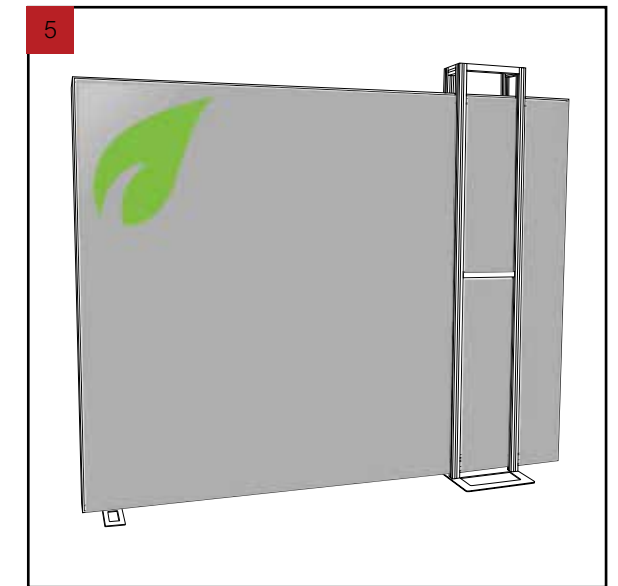
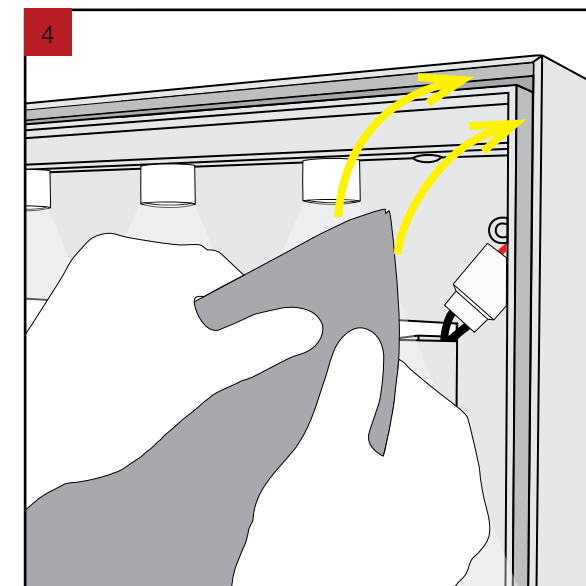
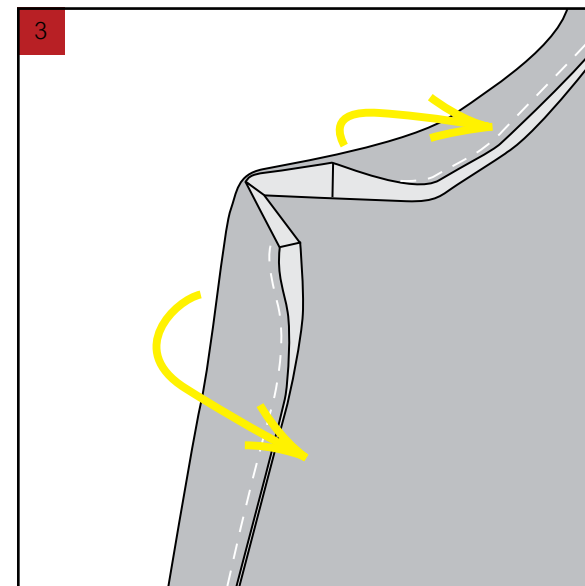
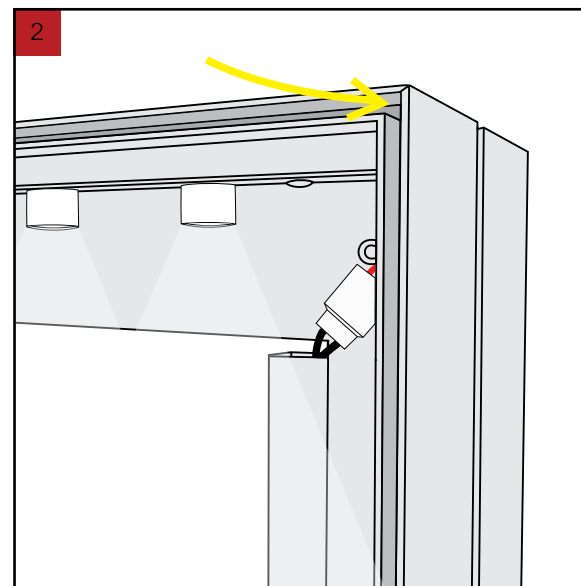
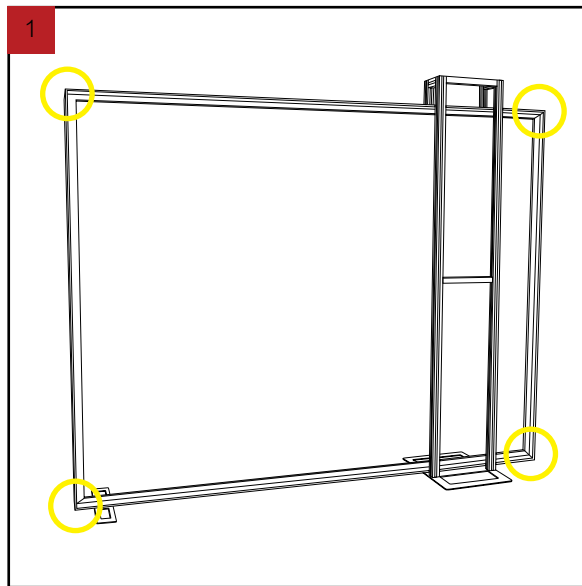
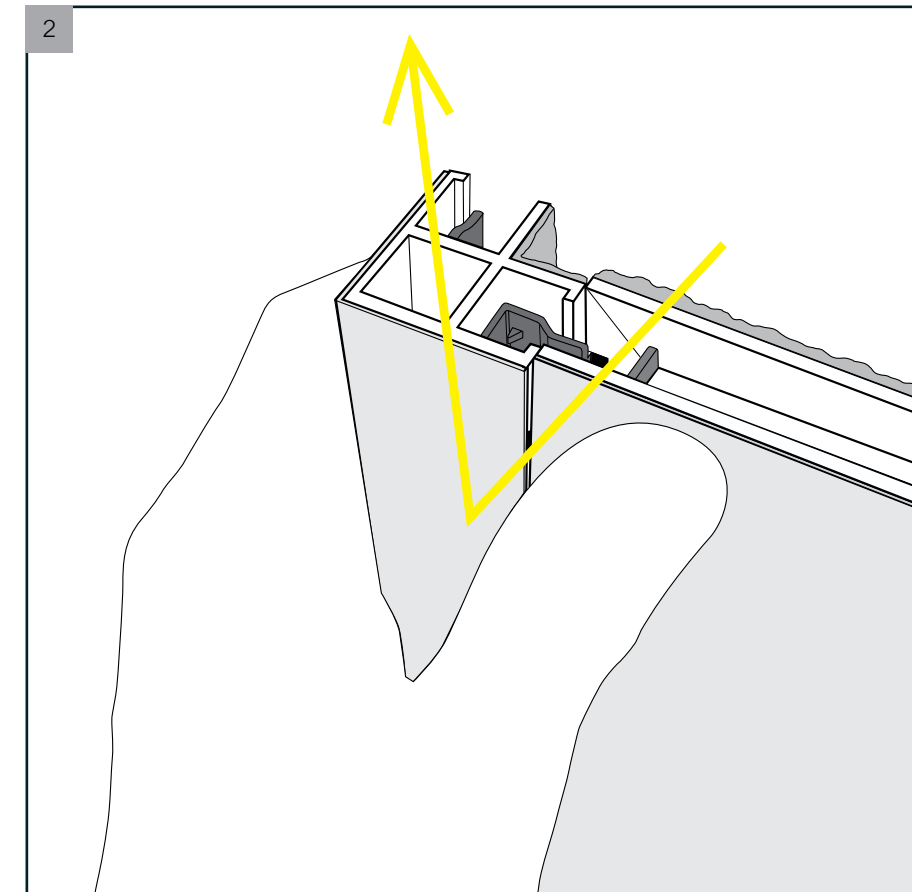
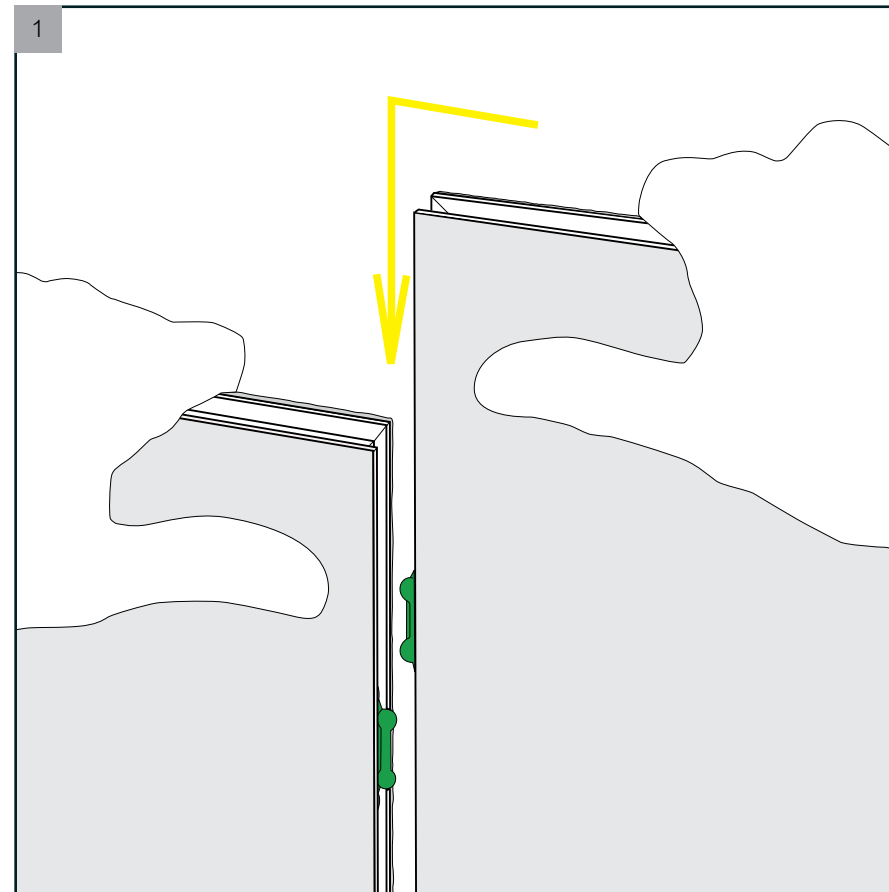
Baseplate Connection for Vertical Extrusions

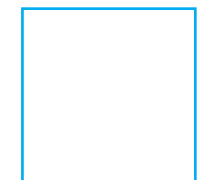
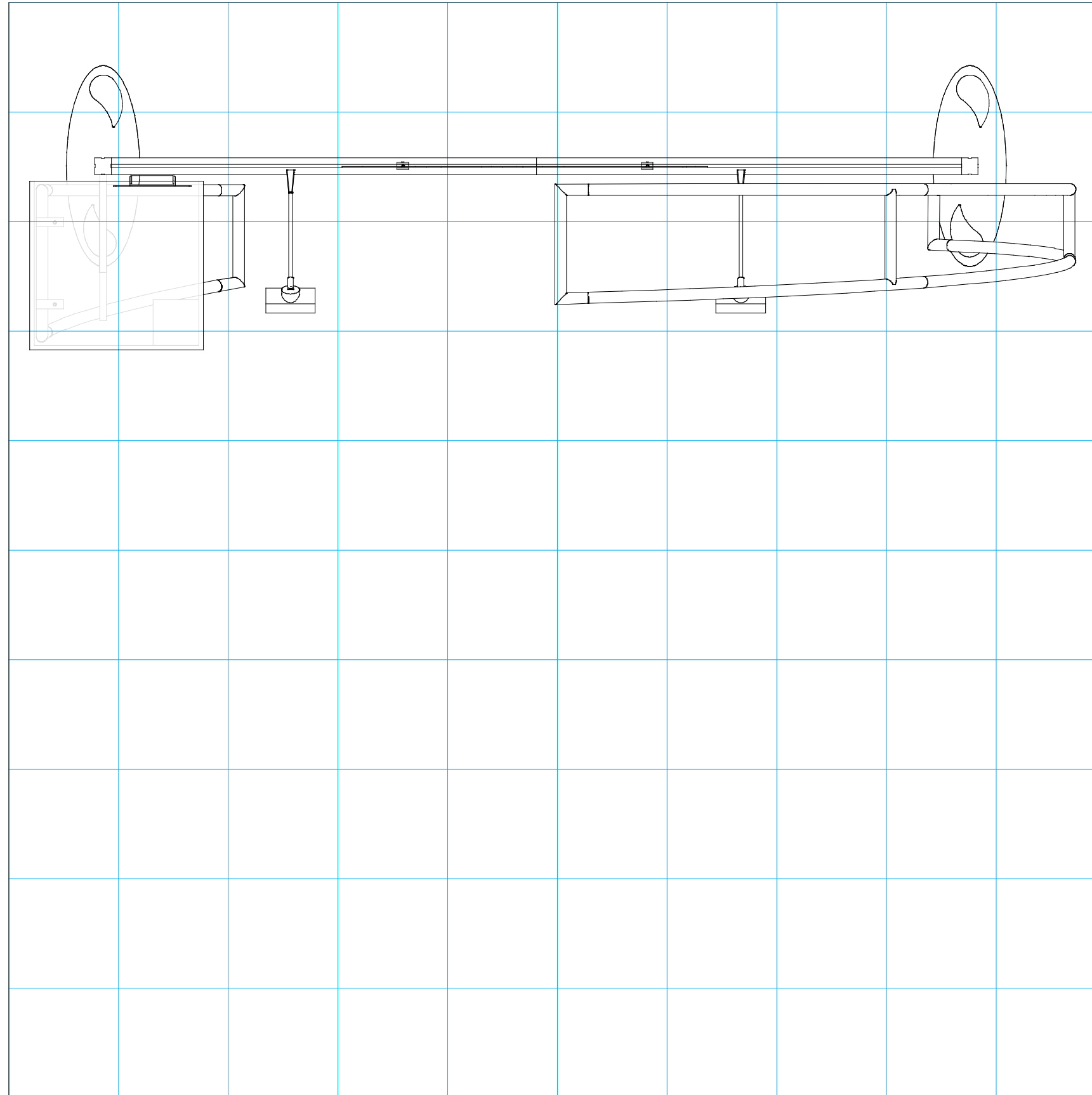
# ECO Panel Install

- 1 Place ECO panel together with a vertical offset, slide down to lock connector in place.
- 2 Panel Corner Connectors are installed just like ECO panels. Remove by off-setting top lock clips horizontally followed by separating vertically.

# SEG Graphic Install

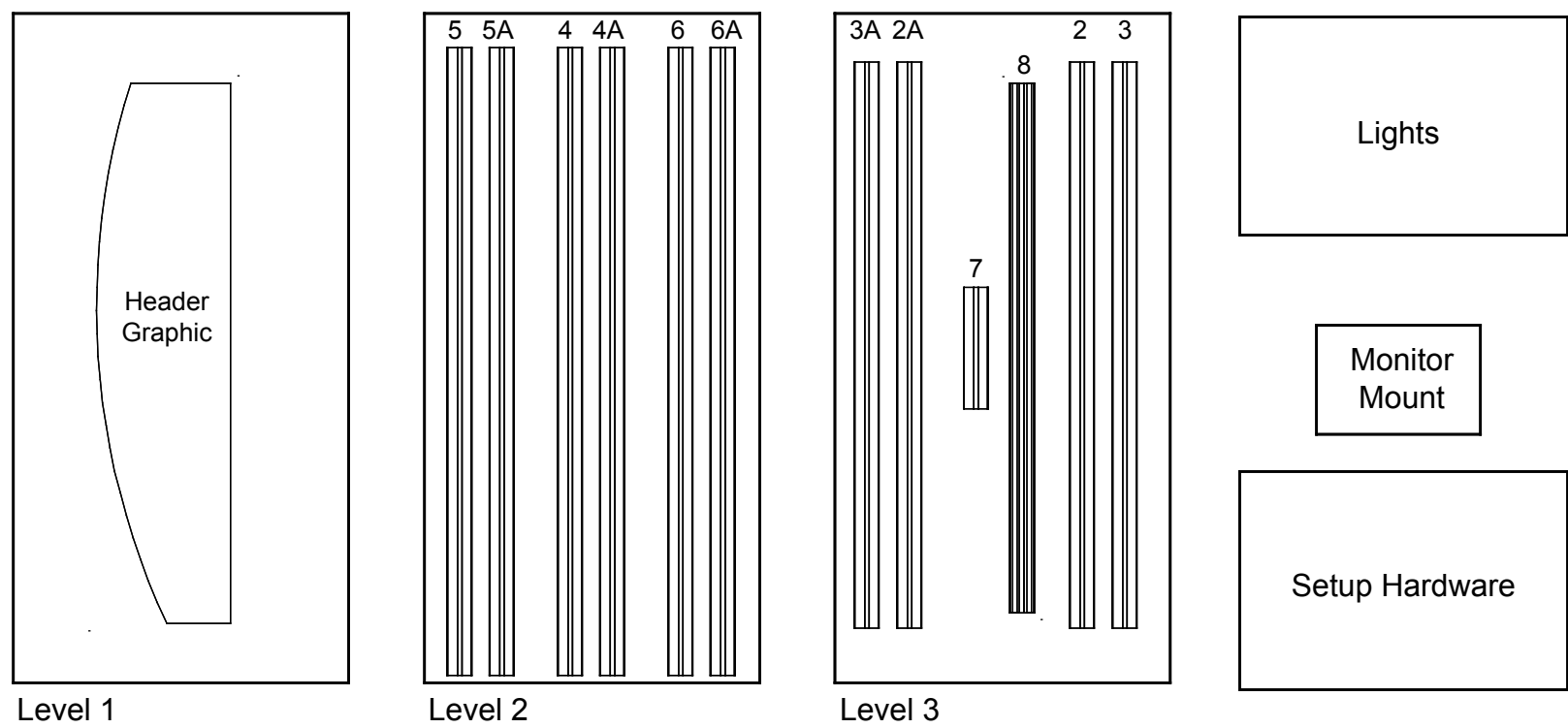
- 1 Graphic is installed corners first. This allows a proportional fit around the perimeter of the extrusion.
- 2 Locate channels along the edge of the extrusions.
- 3 Fold over graphic (hiding threads) and tuck silicon edge and fabric into corners.
- 4 After corners are complete, slide in the rest of the graphic into channel. (From edges to center)
- 5 Graphic is installed. Stand back and be amazed!



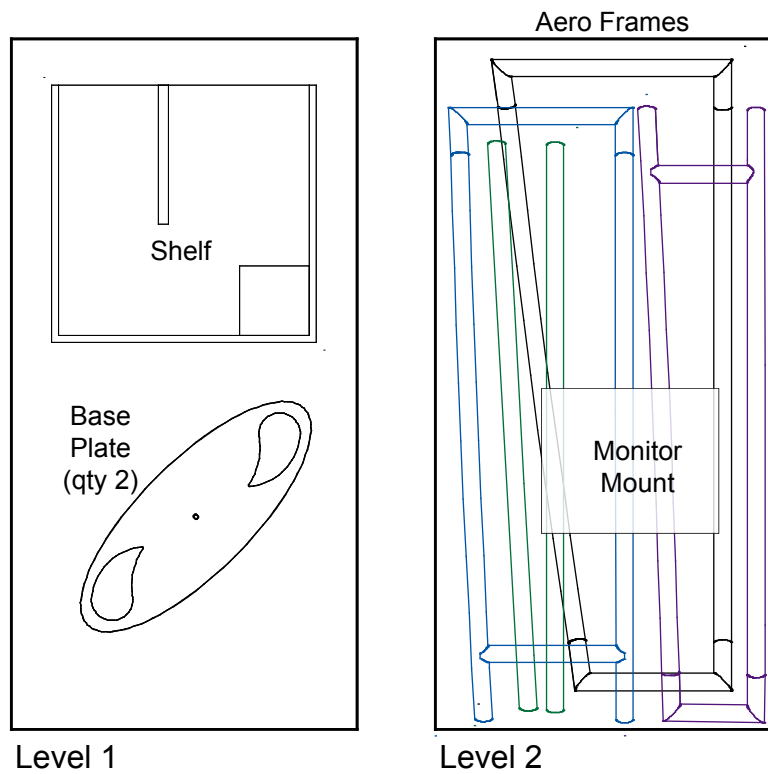


= 1 sq foot

### Top View of Each Level



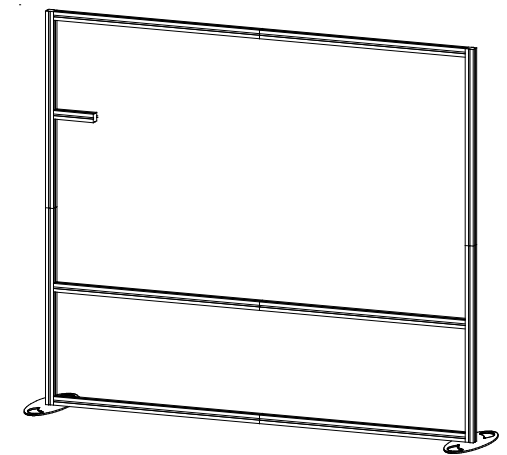
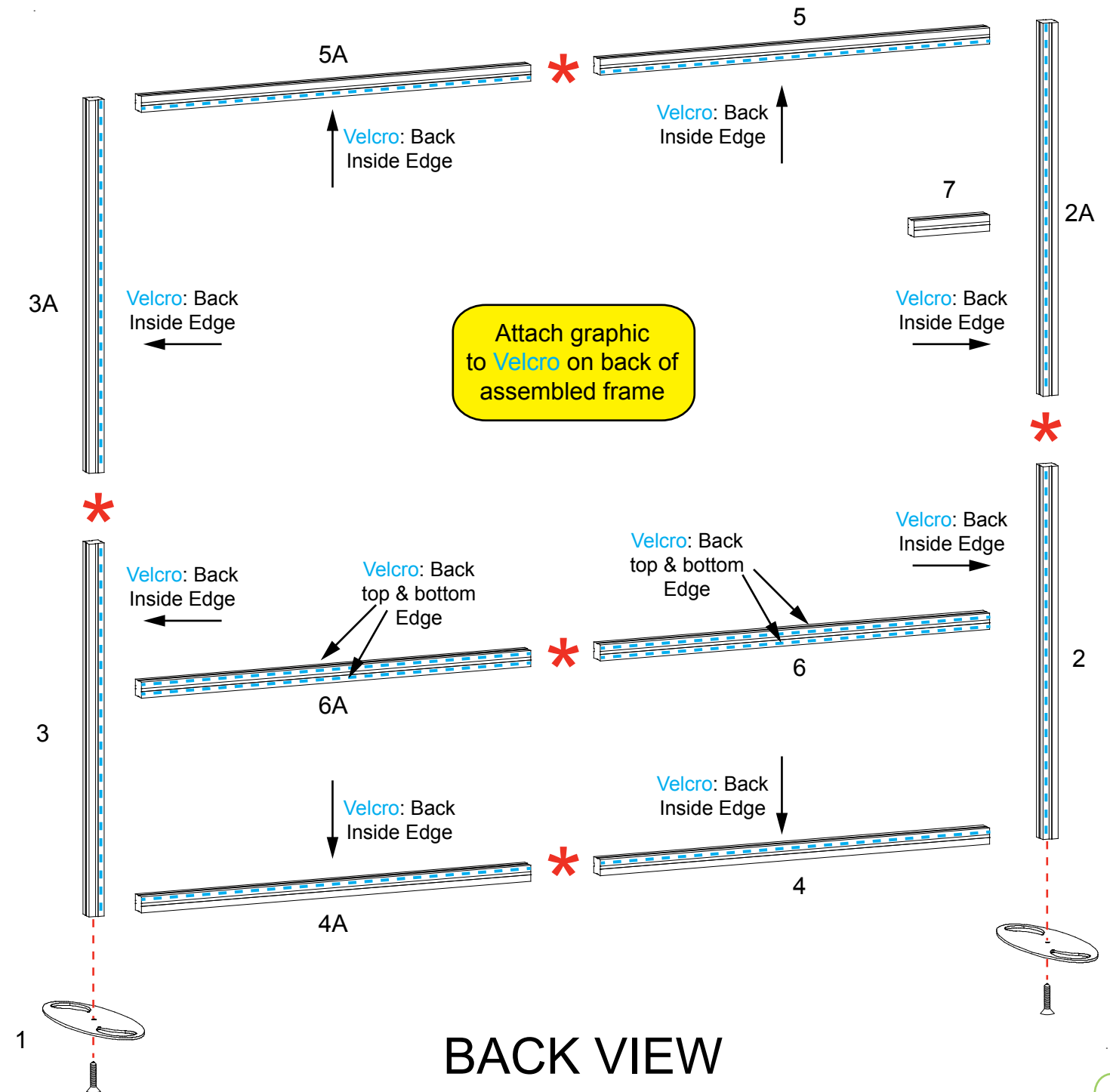
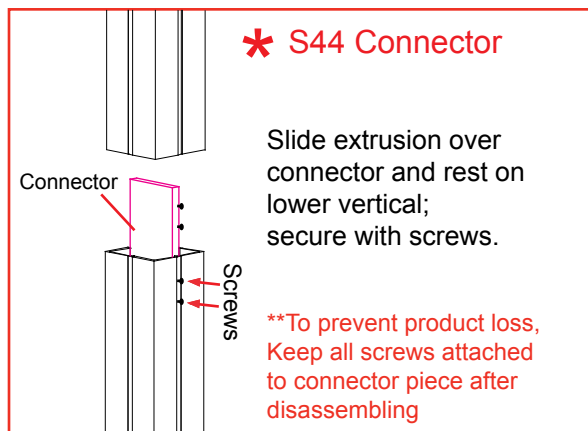
## Top View of Each Level



Item	Qty.	Description
1	2	8" x 22" oval Base Plate
2/2A	1/1	42"h S44 Vertical Extrusion
3/3A	1/1	42"h S44 Vertical Extrusion
4/4A	1/1	46.5"w S44 Horizontal Extrusion
5/5A	1/1	46.5"w S44 Horizontal Extrusion
6/6A	1/1	46.5"w S44 Horizontal Extrusion
7	1	9"w S44 Horizontal Extrusion

Steps:

- 1) Install Base Plates [1] to bottom of verticals [2,3], using bolts.
- 2) Assemble verticals [2-2A], [3-3A] together. See **S44 Connector** detail.
- 3) Connect horizontals [4-4A], [5-5A], [6-6A] together. See **S44 Connector** detail.
- 4) Attach horizontal assemblies [4/4A], [5/5A], [6/6A] between vertical assemblies [2/2A], [3/3A].
- 5) Connect horizontal [7] to vertical extrusion [2A] as shown.
- 6) Apply fabric Graphics using Velcro on back side of frame.

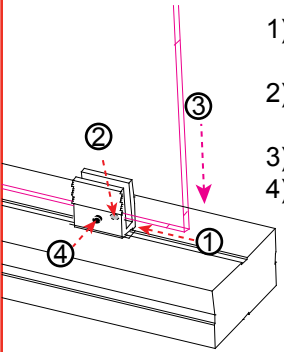


When assembled

Steps:

- 1) Connect Header Graphic to top of backwall using A10 clamps. See **Header Attachment** detail.
- 2) Install Monitor Mount to horizontal [7]. See **Monitor Mount Attachment** detail.
- 3) Attach Lights to top horizontal of backwall. See **Light Attachment** detail.

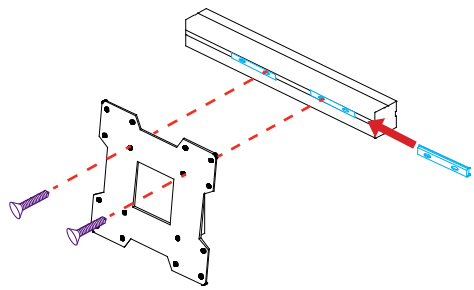
**\* Header Attachment**



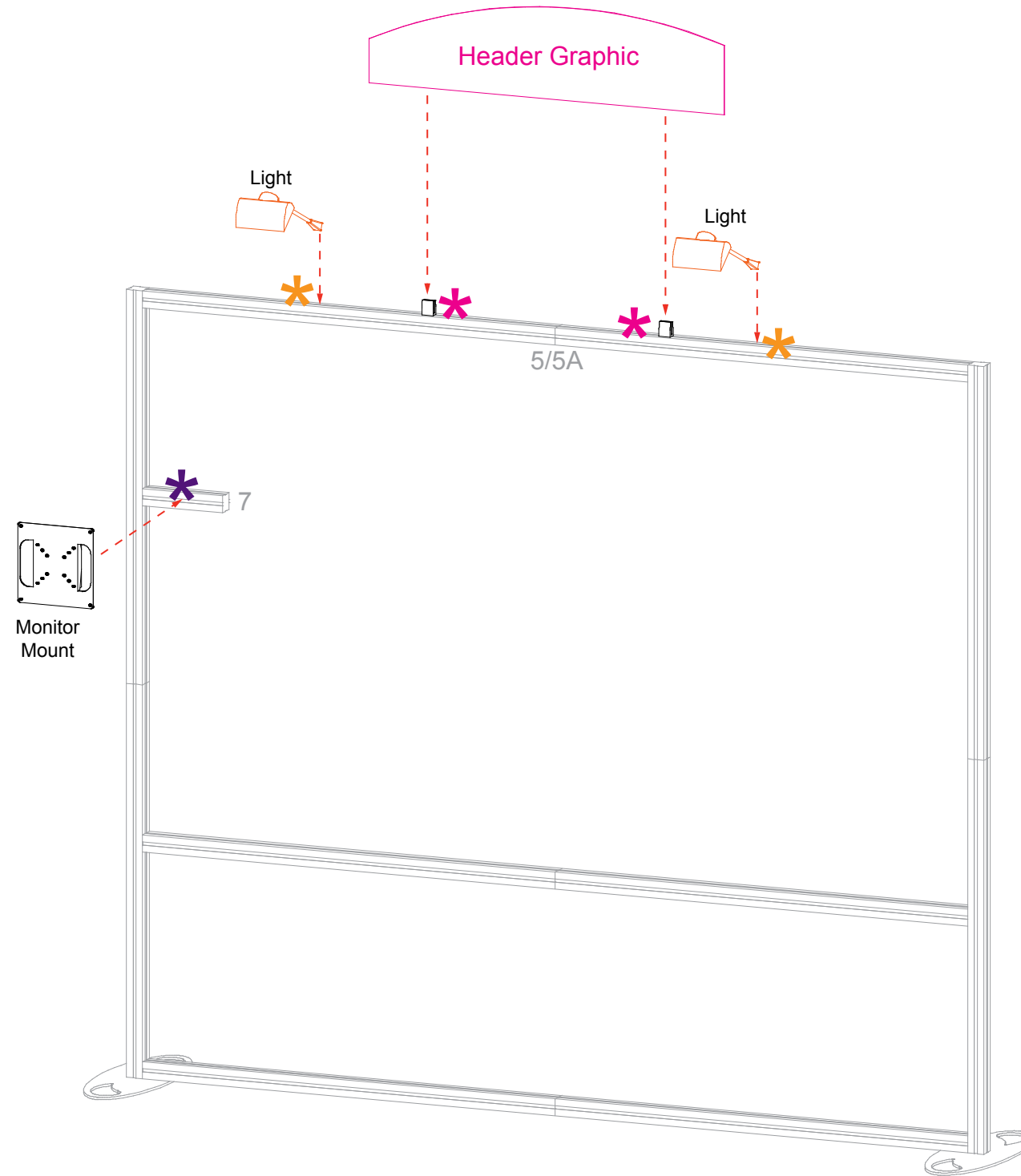
- 1) Slide A10 connector into groove of extrusion.
- 2) Tighten set screw to secure A10 to extrusion.
- 3) Insert Wing into Clamp.
- 4) Tighten knob to secure wing in place.

**\* Monitor Mount Attachment**

Slide V4 connectors into groove of horizontal extrusion; tighten set screw to secure.



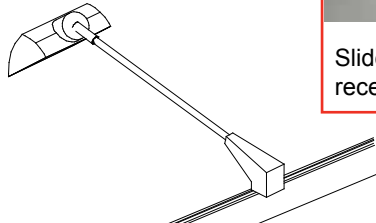
Attach Monitor Mount to connectors on horizontal using screws.



FRONT VIEW

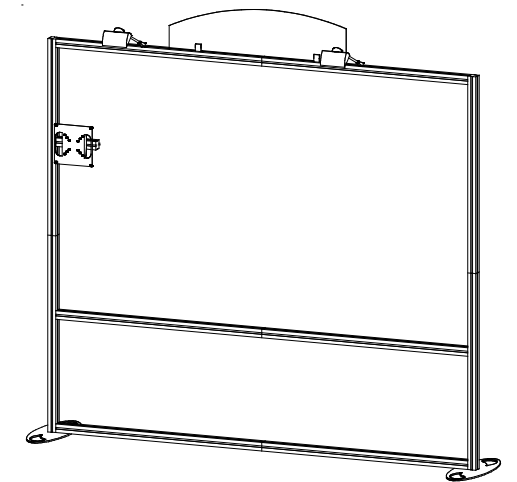
**\* Light Attachment**

Lock Clip into Groove of Horizontal Extrusion, then slide Light onto Clip.



Lock into groove of horizontal

Slide light into light receiving hardware



When assembled



# AERO

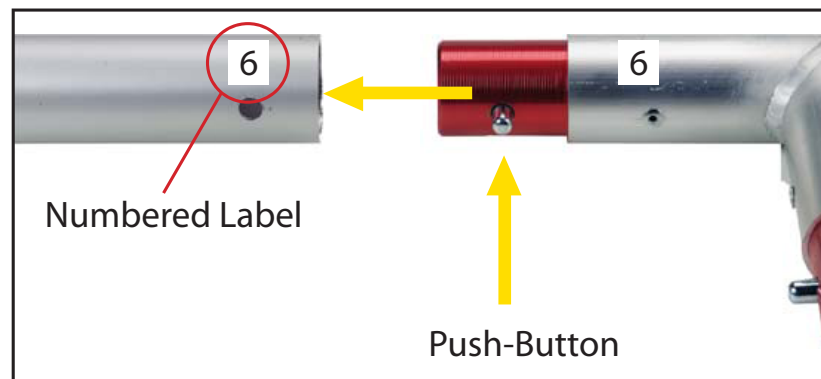
## Using Your Setup Instructions

The Aero Overhead Sign Setup Instructions are created specifically for your configuration. They include an exploded view of the frame which is sequentially numbered. We encourage you to study the instructions before attempting to assemble your exhibit.

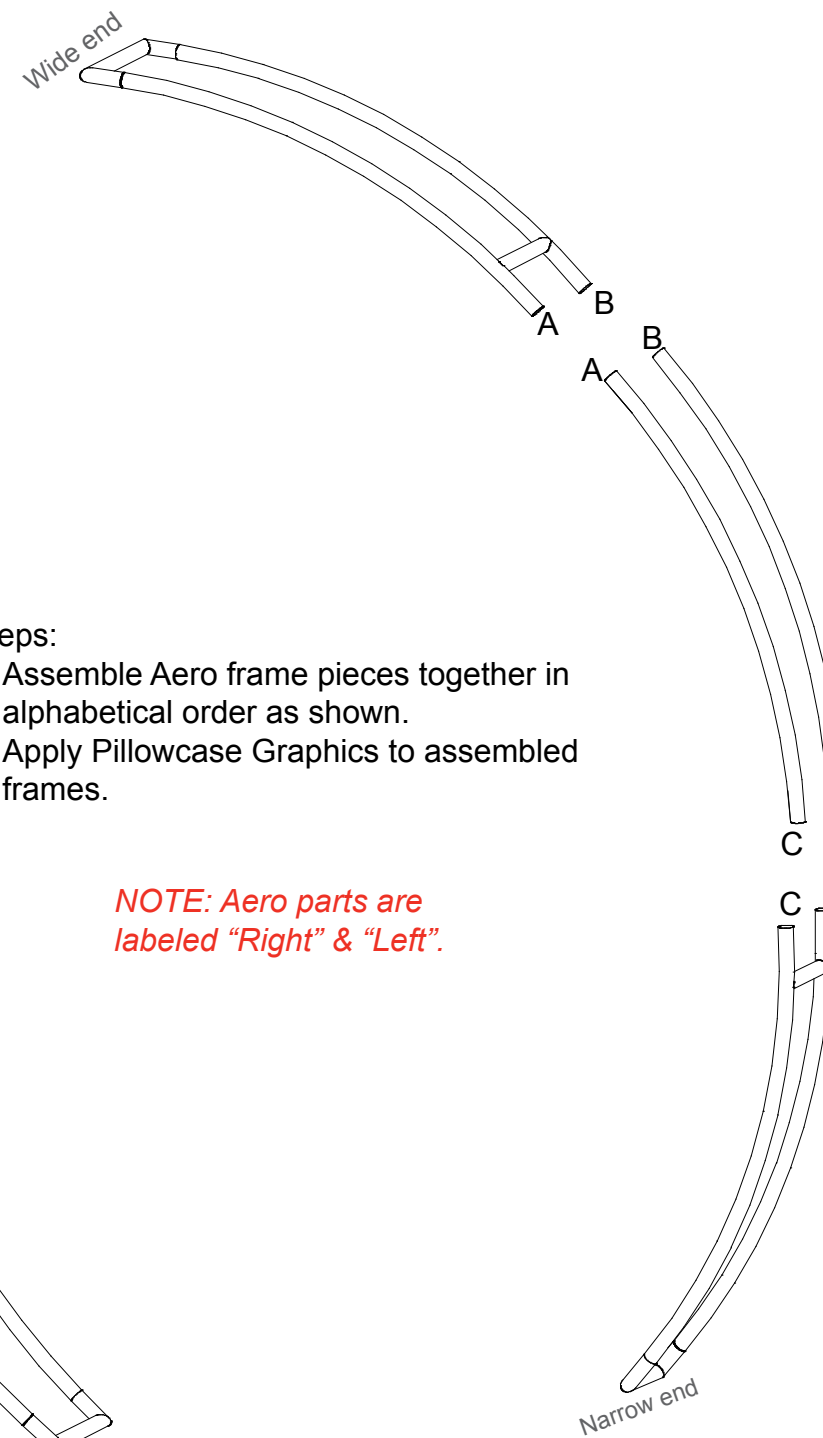
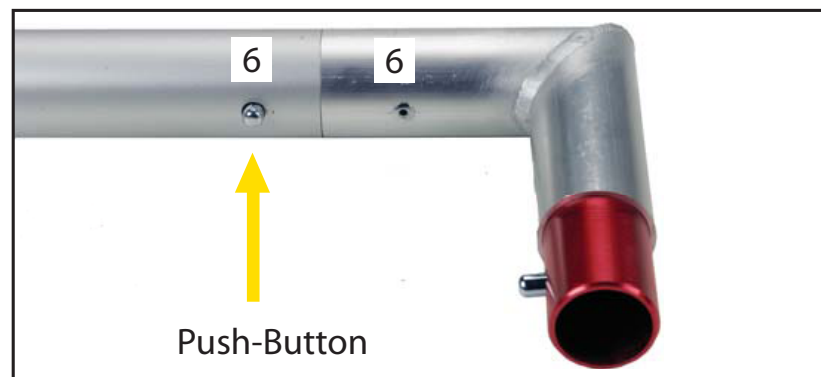
Connections are kept very simple: no tools. Everything assembles with push-button connectors and pre-connected horizontal sections.

## Cleaning and Packing Your Display

- 1) Use care when cleaning aluminum extrusion or acrylic inserts. Use only non-abrasive cleaners.
- 2) Retain all packing material. It will make re-packing much easier and will reduce the likelihood of shipping damage.



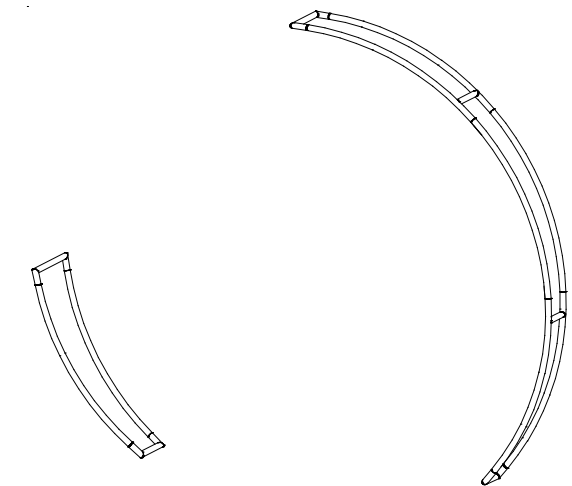
Connections are made by holding the button down and sliding the red tube into opposing tube until the connection is made. To disassemble push button and pull or twist extrusions apart.



### Steps:

- 1) Assemble Aero frame pieces together in alphabetical order as shown.
- 2) Apply Pillowcase Graphics to assembled frames.

*NOTE: Aero parts are labeled "Right" & "Left".*



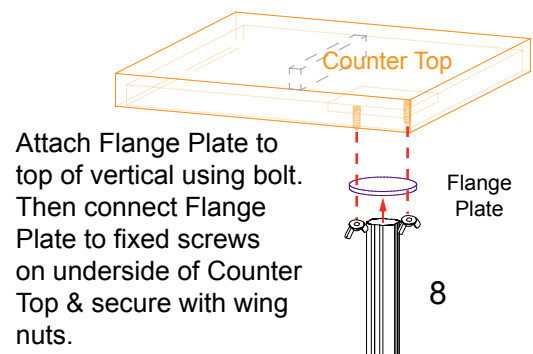
When assembled

Item	Qty.	Description
8	1	39.25"h RSG540 Vertical Extrusion
9	1	10"w Z32 Horizontal Extrusion

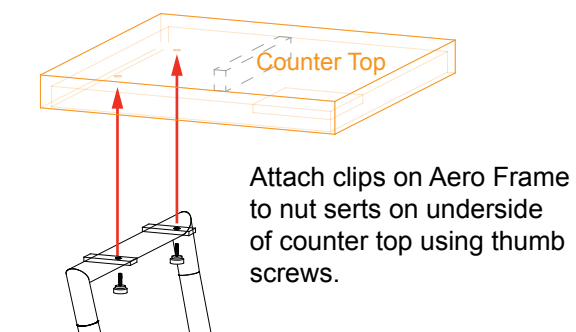
**Steps:**

- 1) Attach Vertical [8] to underside of Counter Top. See [Flange Plate Attachment](#) detail.
- 2) Connect Aero Frame to underside of Counter Top. See [Aero Frame to Counter Attachment](#) detail.
- 3) Attach Aero Frame to keyhole slots in backwall vertical [2/2A]. See [Keyhole Attachment](#) detail.
- 4) Lock horizontal [9] on underside of Counter Top to backwall vertical [2/2A]. See [Shelf Attachment](#) detail.
- 5) Connect large Aero Frame to keyhole slots on vertical [3/3A]. See [Keyhole Attachment](#) detail.

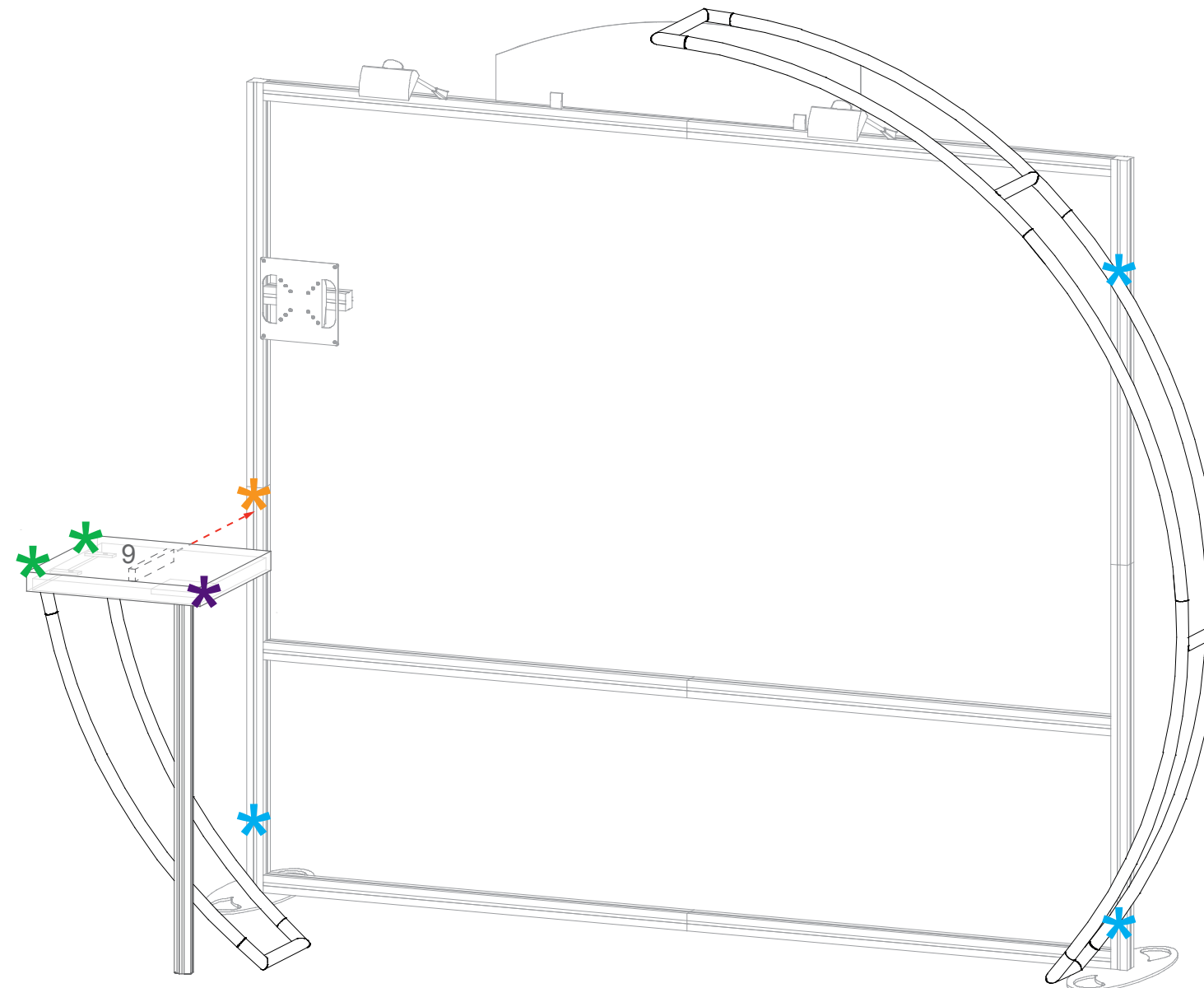
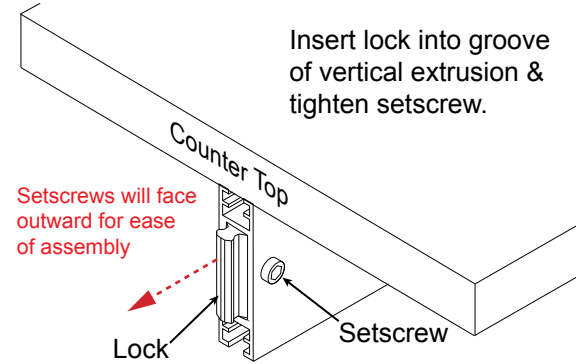
**\* Flange Plate Attachment**



**\* Aero Frame to Counter Attachment**

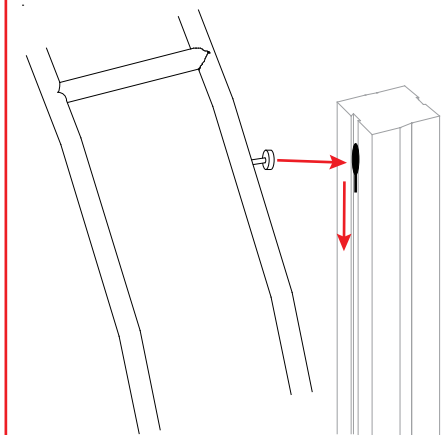


**\* Shelf Attachment**

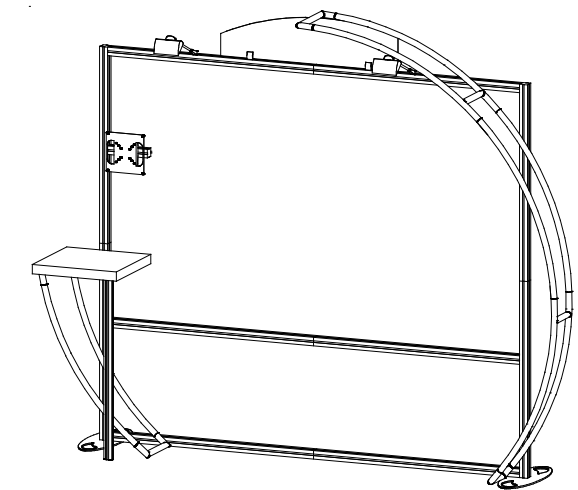


**FRONT VIEW**

**\* Keyhole Attachment**



Insert bolts of aero frame into keyhole slot in groove of vertical extrusion, slide aero frame down to secure.



**When assembled**