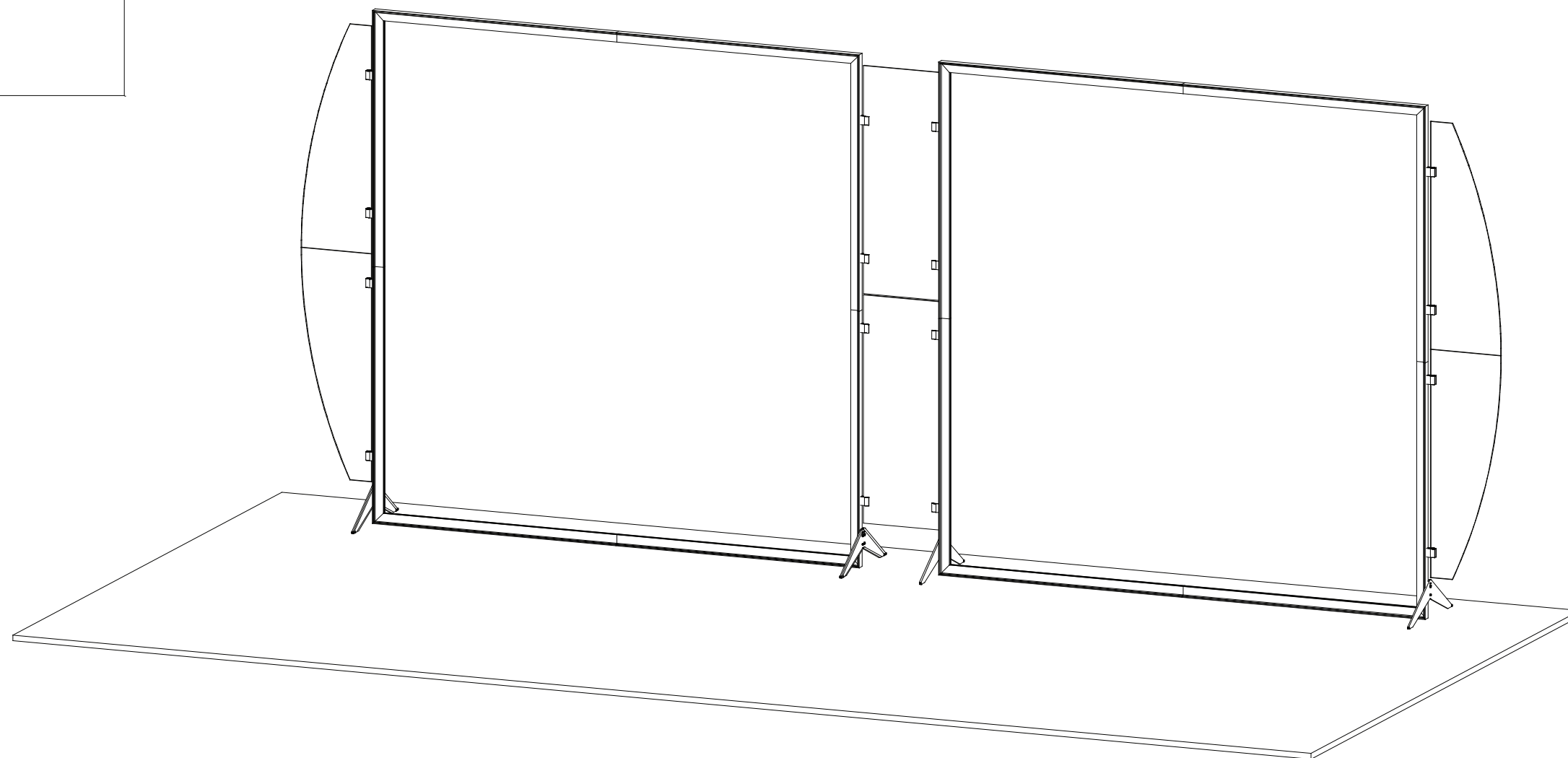


Plan View



## General Setup Instructions

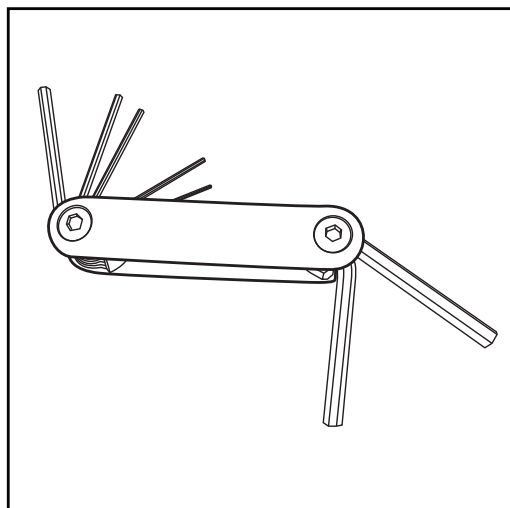
- Read entire setup instruction manual prior to unpacking parts and pieces.
- The setup instructions are created specifically for this configuration.
- Setup instructions are laid out sequentially in steps, including exploded views with detailed explanation for assembly.

## Cleaning & Packing

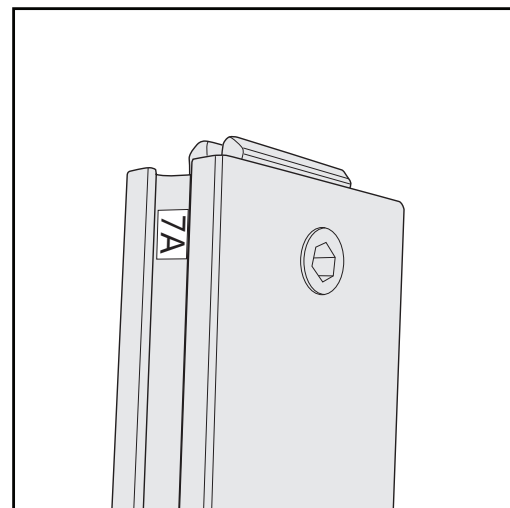
- For Cleaning Metal, Plex, & Laminate Parts: Use a **MILD NON-ABRASIVE** cleanser and soft cloth/paper towel to clean all surfaces.
- Keep exhibit components away from heat and prolonged sun exposure.  
**Heat and UV exposure will warp and fade components.**
- Retain all provided Packing Materials. All provided packing materials are for ease of repacking & component protection.

## Disassembly

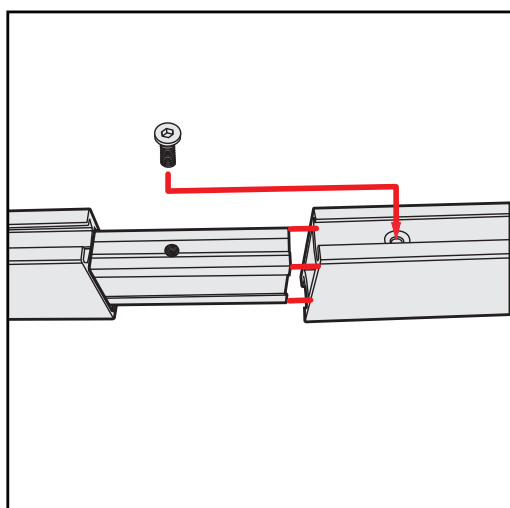
- For loss prevention, tighten all setscrews and locks during disassembly



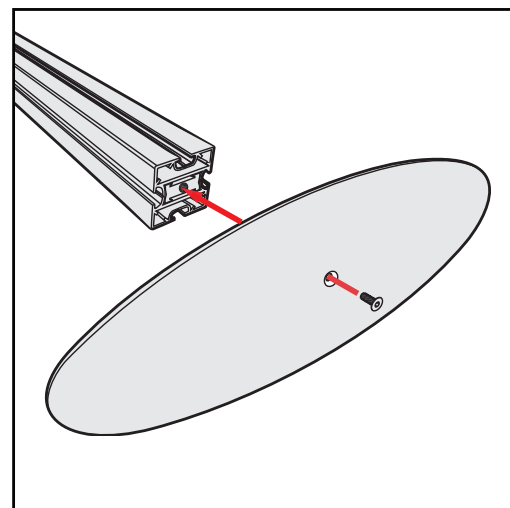
Hex Tool - Essential for Assembly



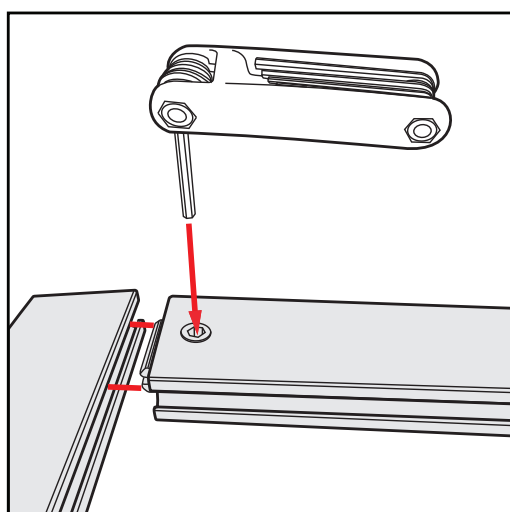
Part Identification - Numbering



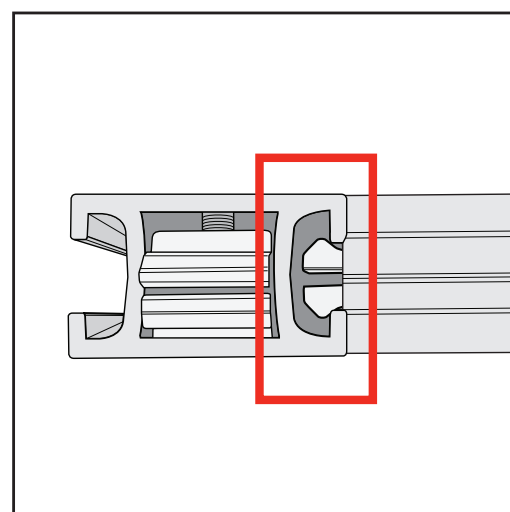
Spline Connection



Base Plate & Extrusion Connection



Extrusion & Lock Connection



Engaged Lock



# WARNING



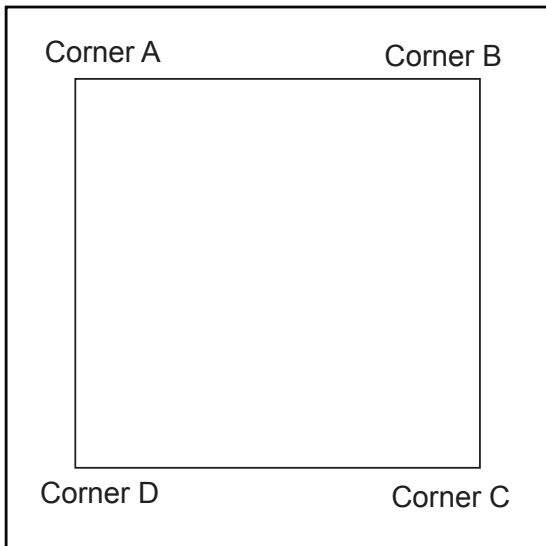
DO NOT USE POWER TOOLS



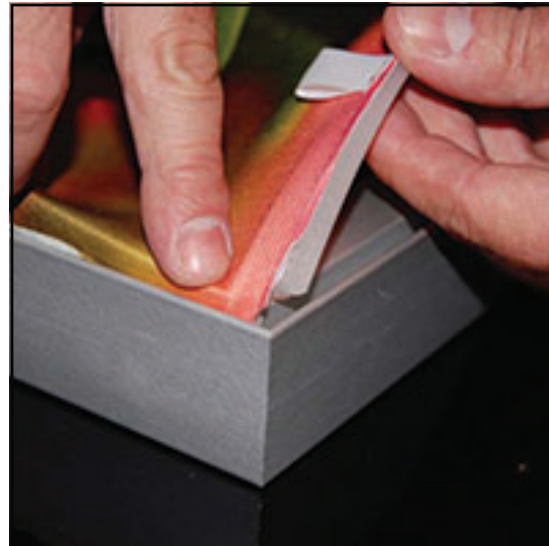
LADDERS OR LIFTS  
MAY BE REQUIRED



ALL CONNECTIONS MUST  
BE TIGHTLY SECURED



It is important to first insert graphic into each alternate corner then to the sides of the frame. If this is not done, graphic will not fit into the frame correctly.



**Step 1**  
Insert corner A. Turn edge of graphic so silicon welt is perpendicular to face of graphic. Insert narrow side of welt with fabric to outside into the channel. Repeat for other side of this corner.

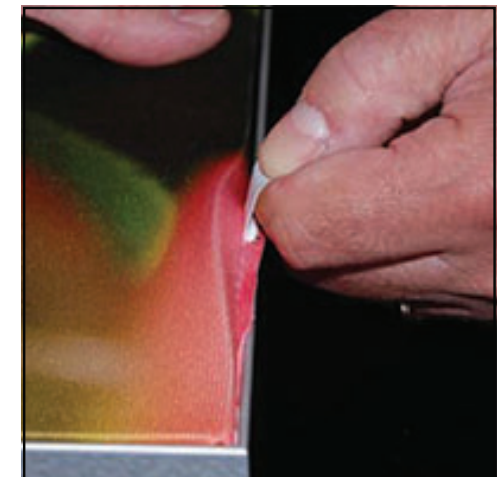


**Step 2**  
Repeat Step 1 for opposite corner C, then insert corner B, followed by corner D, to complete the installation of the corners.



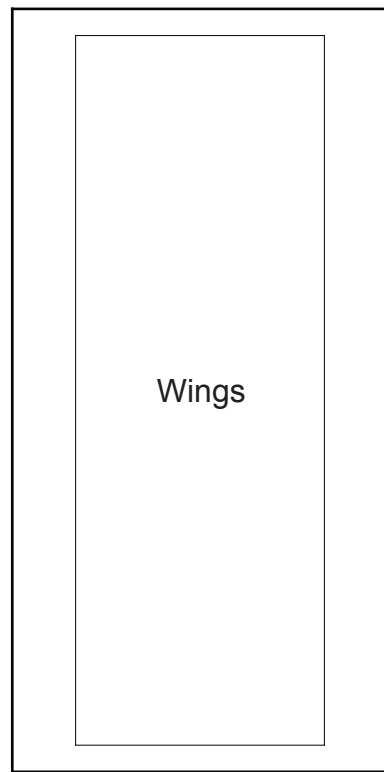
**Step 3**  
Once all corners are inserted, press one silicon edge into channel from corners and work toward the center. Make sure welt is fully inserted into channel. Continue until all sides are done. Smooth out edges of graphic.

### Graphic Removal

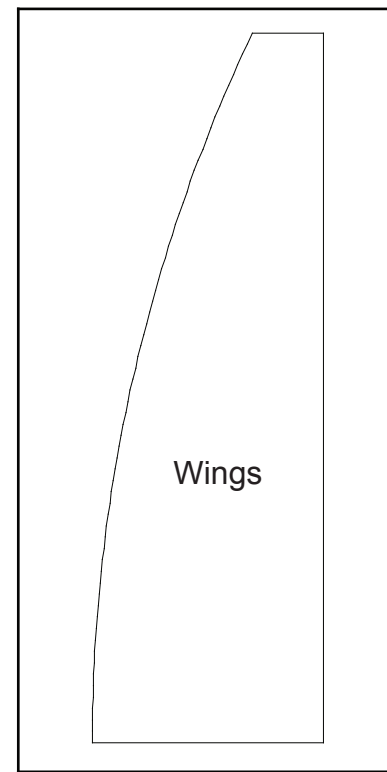


To remove the graphic from the frame, locate the fabric pull tab. Gently pull up on the tab to remove the fabric.

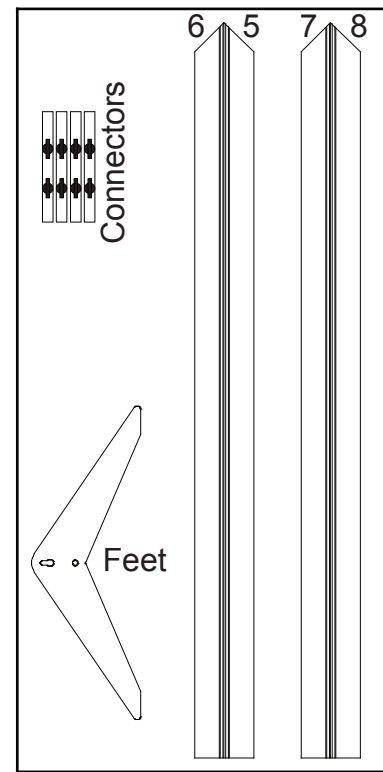
### Top View of Each Level



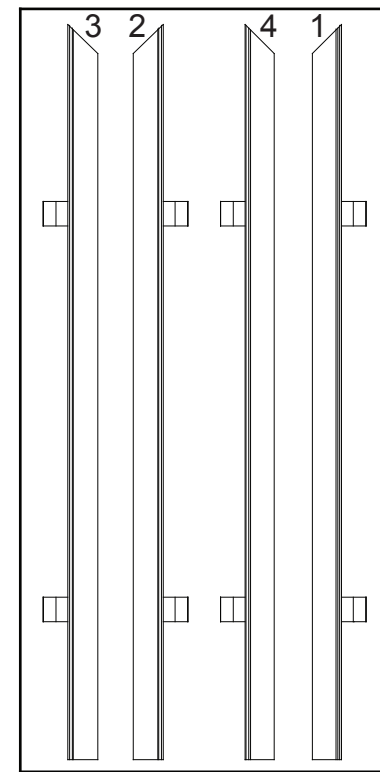
Level 1



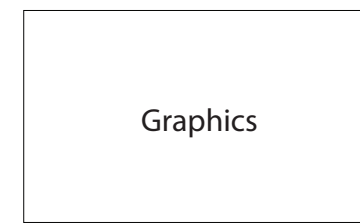
Level 2



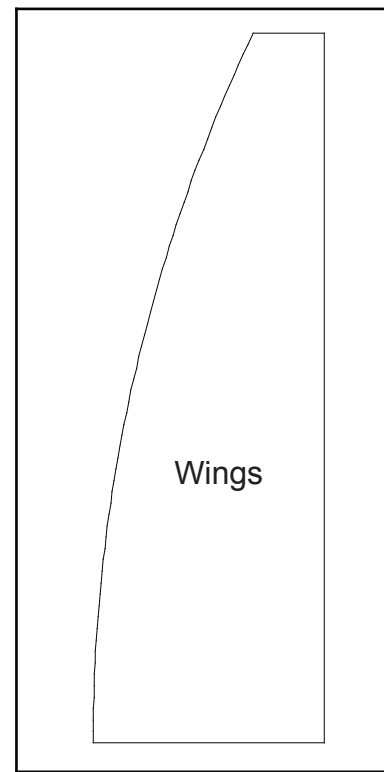
Level 3



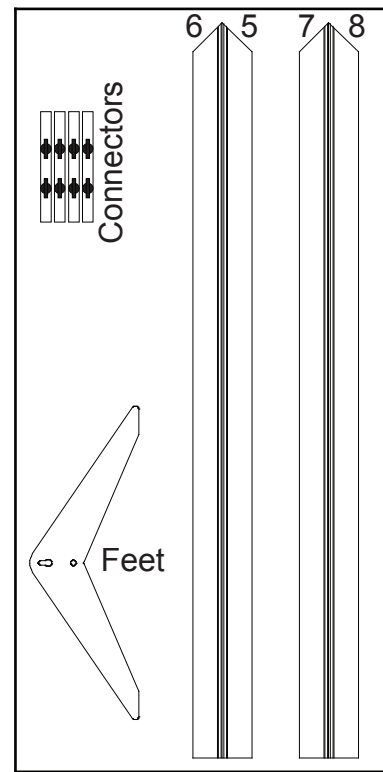
Level 4



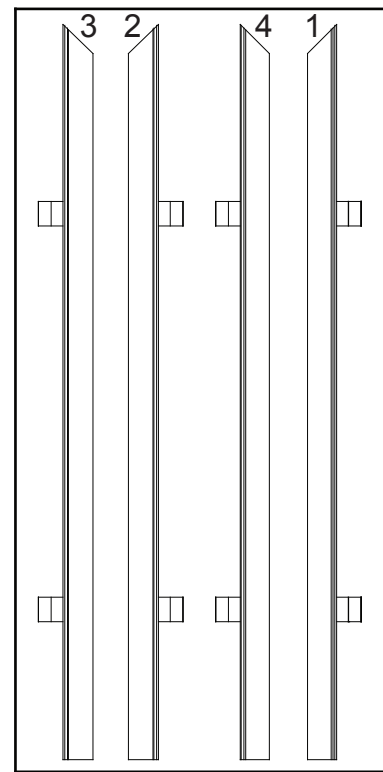
### Top View of Each Level



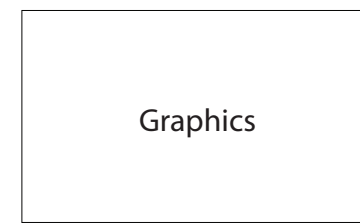
Level 1



Level 2



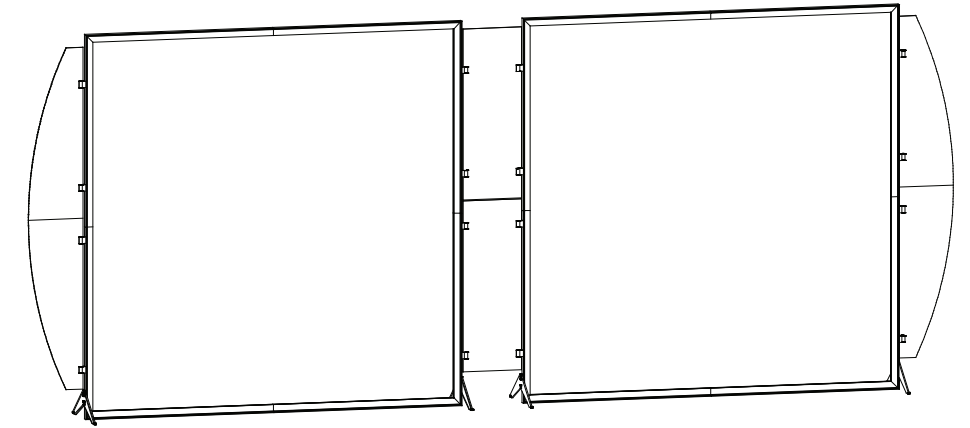
Level 3



Item	Qty	Description
1	2	45" Vertical Extrusion
2	2	45" Vertical Extrusion
3	2	45" Vertical Extrusion
4	2	45" Vertical Extrusion
5	2	45" Horizontal Extrusion
6	2	45" Horizontal Extrusion </td
7	2	45" Horizontal Extrusion
8	2	45" Horizontal Extrusion

**Setups:**

- 1) Assemble Extrusions together. See **Corner Connection** and **Straight Connection** details.
- 2) Apply SEG graphic to front and back of assembled frame. See SEG Graphic Installation sheet for details.
- 3) Attach feet to both sides of assembled frames. See **Foot Attachment** detail.
- 4) Attach Wings to A10 clips. See **A10 Clamp Attachment** detail.



Completed Backwall Assembly

**A10 Clamp Attachment**

