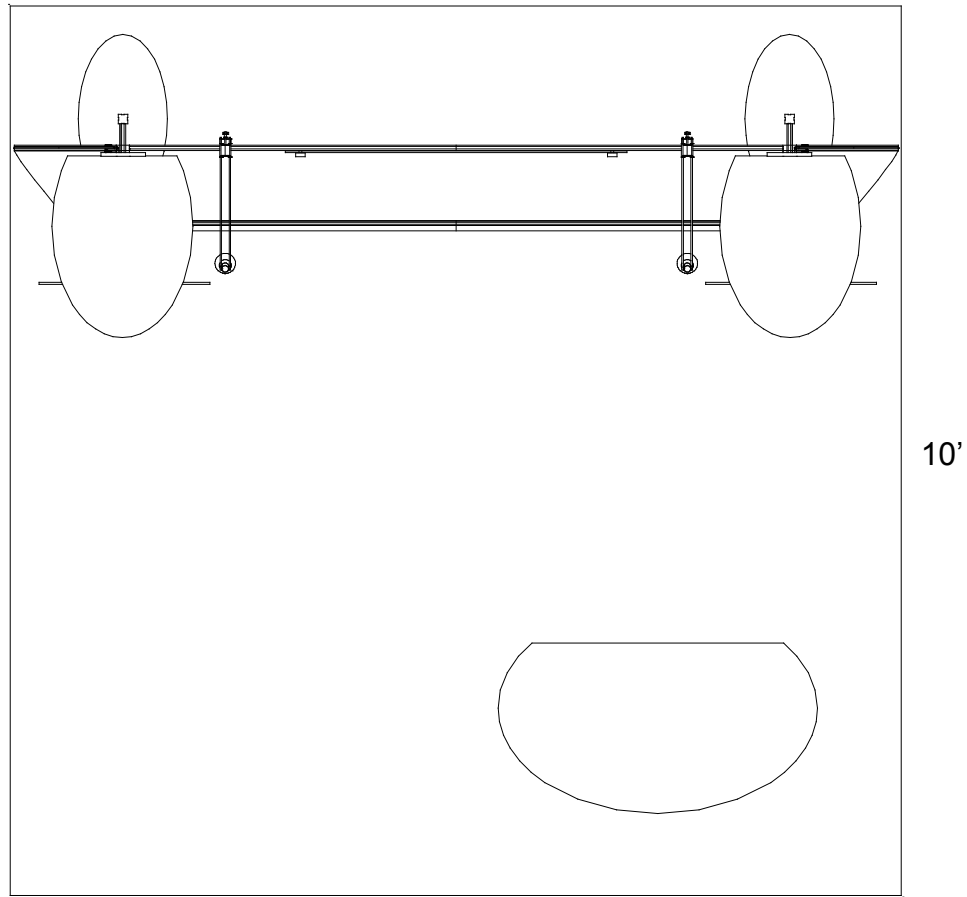
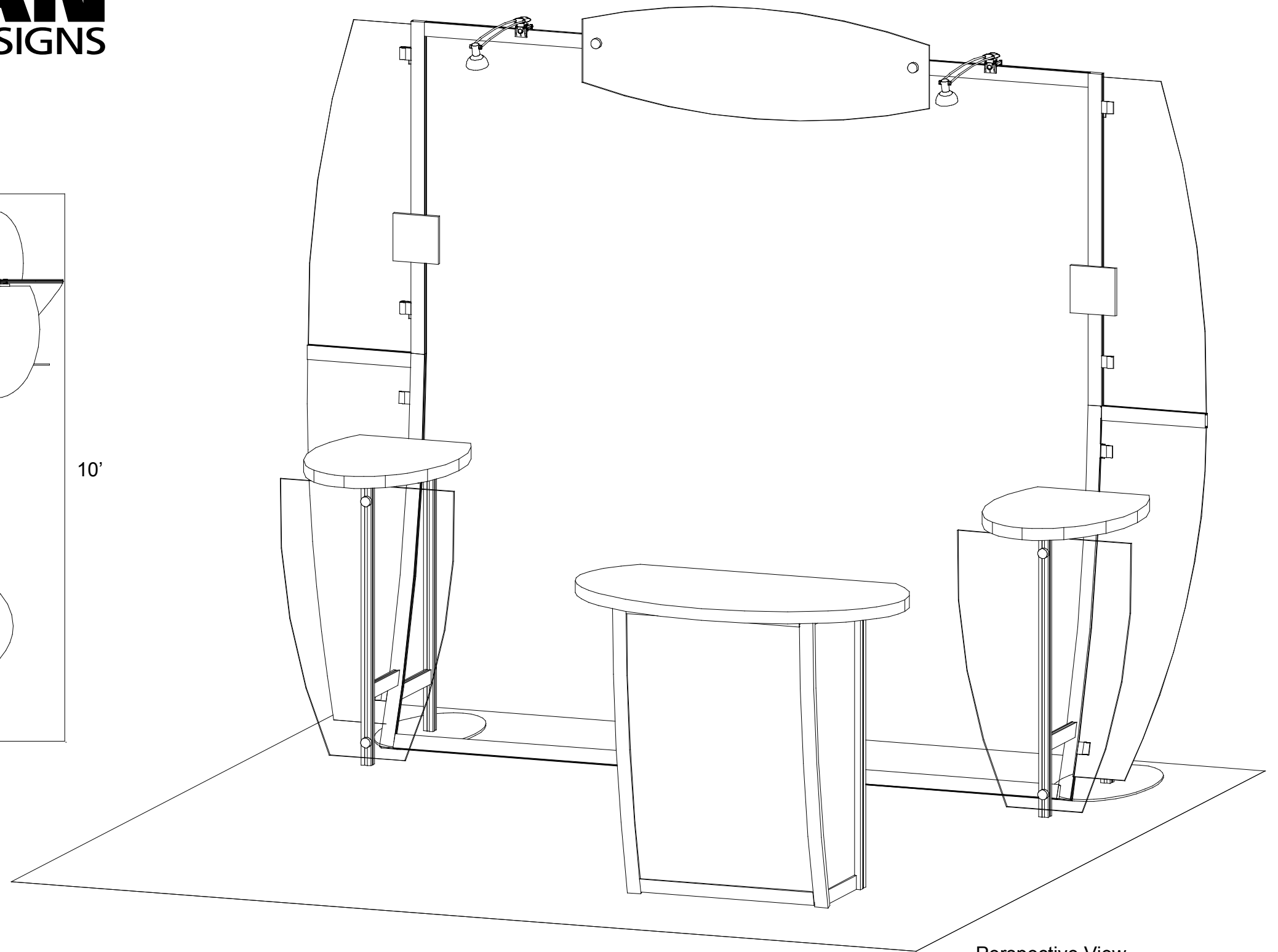


MAGELLAN DESIGNS



Plan View

10'



Perspective View

WHEN DISASSEMBLING ALUMINUM EXTRUSION, TIGHTEN ALL SETSCREWS AND LOCKS TO PREVENT LOSS DURING SHIPPING

MAGELLAN DESIGNS

Using Your Set-up Instructions:

The Visionary Designs Set-up Instructions for Magellan displays are created specifically for your configuration. They are laid out sequentially, including an exploded view of the entire display and a logical series of detailed steps for assembly. We encourage you to study the instructions **before** attempting to assemble your exhibit.

THIS IS VERY IMPORTANT!

Each page reminds you to tighten the setscrews after disassembling your exhibit to prevent loss of the locks and setscrews (see below in red).

Cleaning & Packing Your Display:

- 1) Use care when cleaning aluminum extrusions or acrylic inserts. Use only non-abrasive cleaners.
- 2) When cleaning laminate inserts or counter tops, use mild cleansers and a soft material such as cotton.
- 3) Keep all display components away from extreme heat and long exposure to sunlight to avoid warping and fading.
- 4) Retain all packing materials. It will make re-packing much easier and will reduce the likelihood of shipping damage.

Hex Key Tool



Most visionary design exhibits can be assembled with the supplied Hex Key Tool. Occasionally, a flat head screwdriver may be required.

Typical Connection

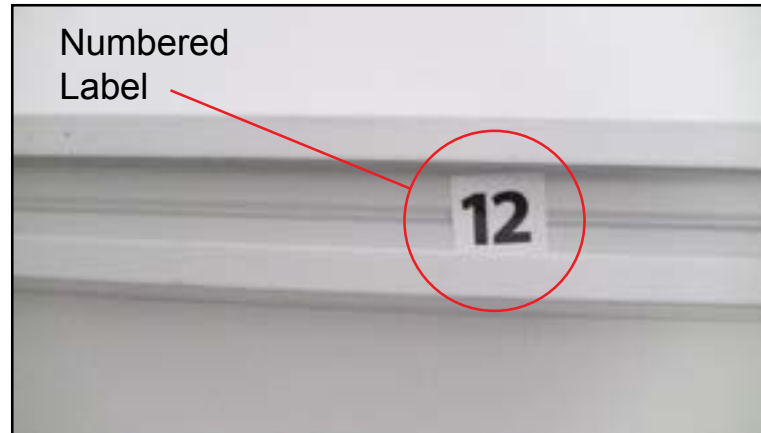


Detail A: Most horizontal extrusion connections have a patented expandable lock. This lock inserts into the groove of an opposing extrusion. Tightening the lock with the Hex Key Tool expands the lock and creates a strong positive connection.

Typical Connection



Numbered Label



Detail B: Each extrusion contains a numbered label that corresponds to set-up instructions. The label is located within a groove of the extrusion (when possible). Visionary Design labels contain Black numbers unless otherwise specified.

Horizontal Connection



Detail C: A rectangular connection bar with plastic T Knobs is inserted between two horizontal extrusions joined end-to-end. Turn the knobs clockwise to tighten. Do Not Overtighten.

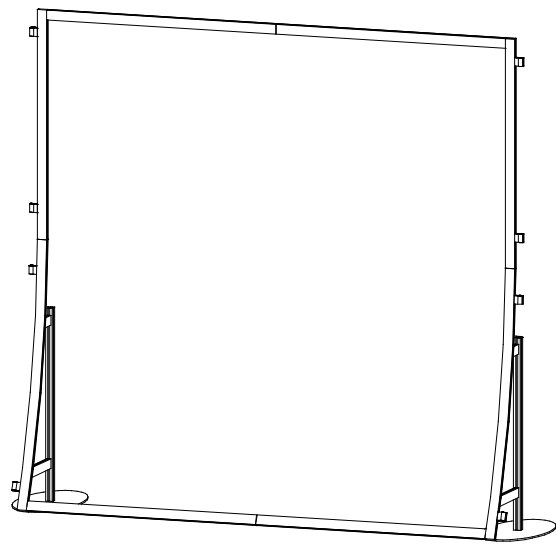
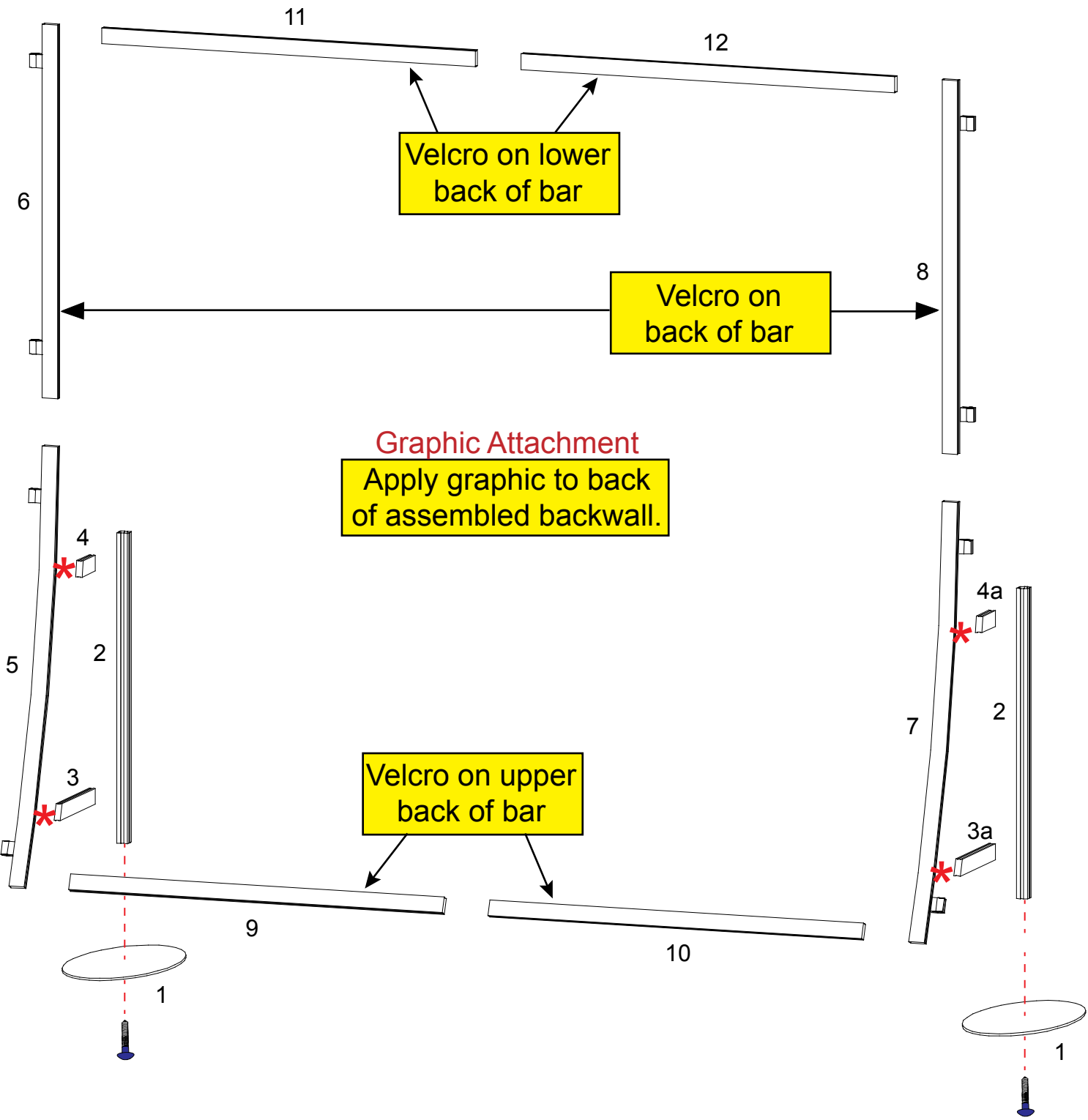
WHEN DISASSEMBLING ALUMINUM EXTRUSION, TIGHTEN ALL SETSCREWS AND LOCKS TO PREVENT LOSS DURING SHIPPING

866.652.2100

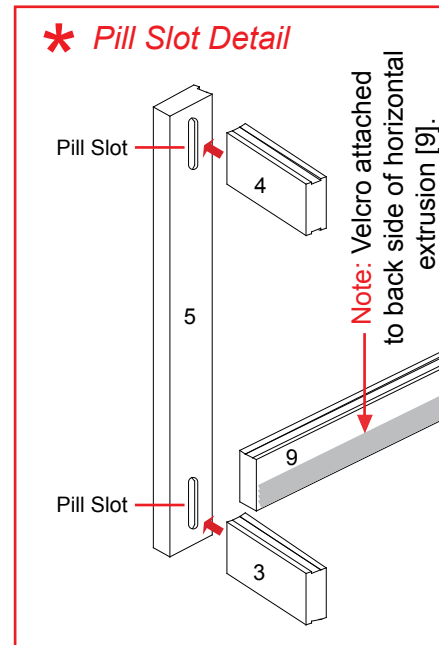
Item	Qty.	Description	Item	Qty.	Description
1	2	Oval Base Plate	7	1	49.55" Curved Vertical Extrusion
2	2	35" Vertical Backwall Support	8	1	42" Vertical Extrusion
3/3a	1/1	11.396" Horizontal Extrusion	9	1	44" Horizontal Extrusion
4/4a	1/1	4.318" Horizontal Extrusion	10	1	44" Horizontal Extrusion
5	1	49.55" Curved Vertical Extrusion	11	1	44" Horizontal Extrusion
6	1	42" Vertical Extrusion	12	1	44" Horizontal Extrusion

Steps:

- 1) Attach oval base plates [1] to verticals [2] using bolts as shown.
- 2) Attach horizontals [3,3a,4,4a] to verticals [2].
- 3) Attach upper verticals to lower curved verticals.
- 4) Connect horizontals [9,10] together.
- 5) Connect horizontals [11,12] together.
- 6) Attach vertical assemblies to horizontals [3,3a,4,4a].
See **Pill Slot Detail** detail.
- 7) Attach horizontal assemblies between vertical assemblies.
- 8) Attach graphics to Velcro on back of assembled backwall.



When assembled

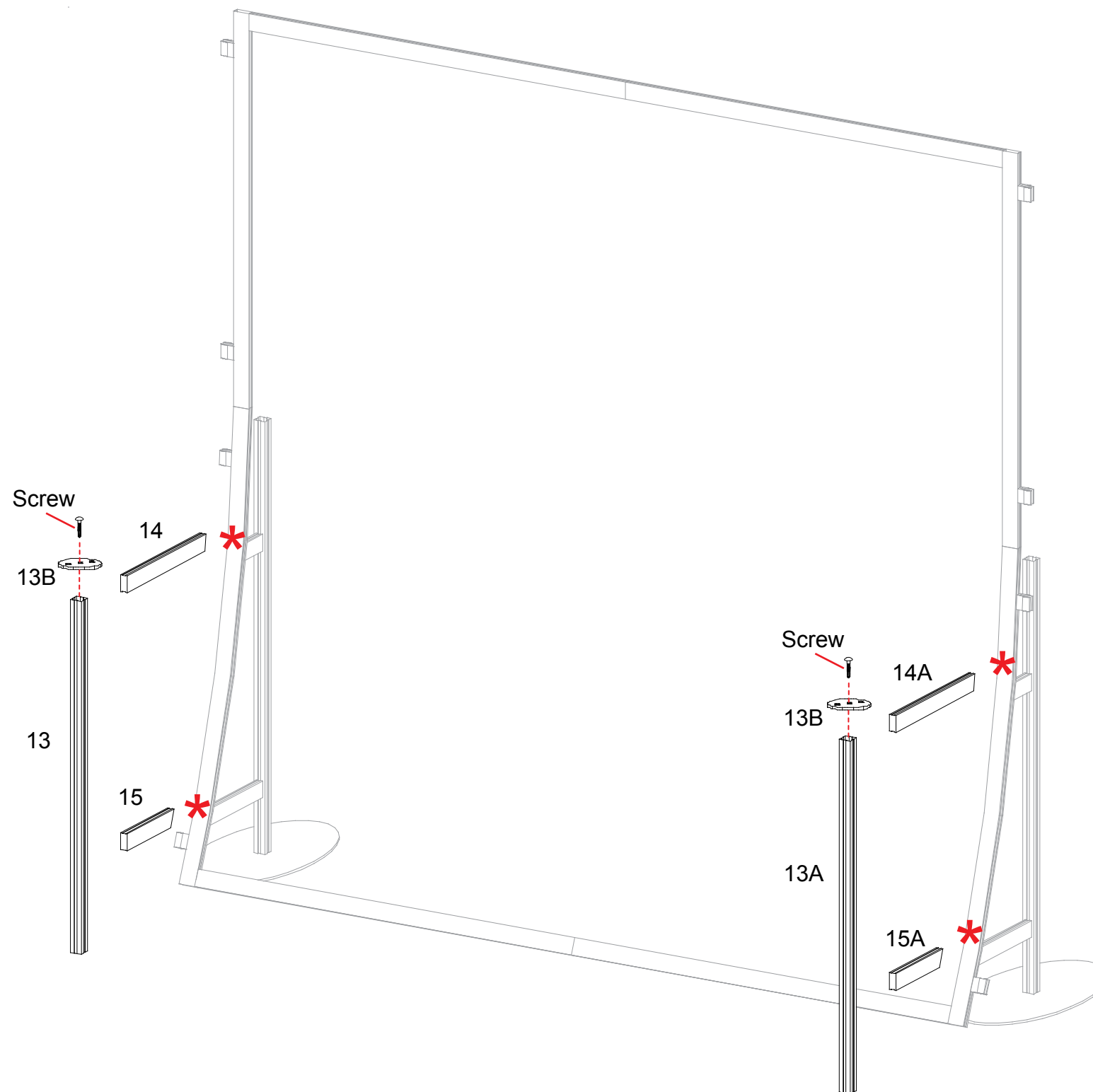
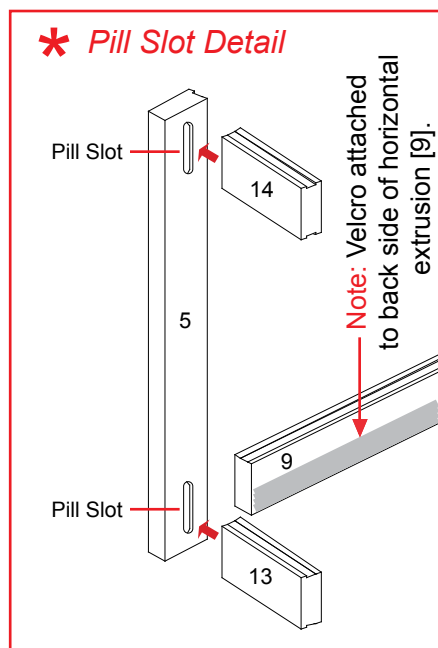


WHEN DISASSEMBLING ALUMINUM EXTRUSION, TIGHTEN ALL SETSCREWS AND LOCKS TO PREVENT LOSS DURING SHIPPING

Item	Qty.	Description
13/13A	1/1	37.5"h Vertical Extrusion
13B	2	Counter Flange
14/14A	1/1	15.7689"w Horizontal Extrusion
15/15A	1/1	9.3552"w Horizontal Extrusion

Steps:

- 1) Connect horizontals [14 & 15] to vertical [13].
- 2) Connect horizontals [14A & 15A] to vertical [13A].
- 3) Attach counter flange [13B] to the tops of verticals [13] & [13A].
- 4) Attach assembly [13,14,15] to backwall vertical [5].
See **Pill Slot Detail** detail.
- 5) Attach assembly [13A,14A,15A] to backwall vertical [7].
See **Pill Slot Detail** detail.

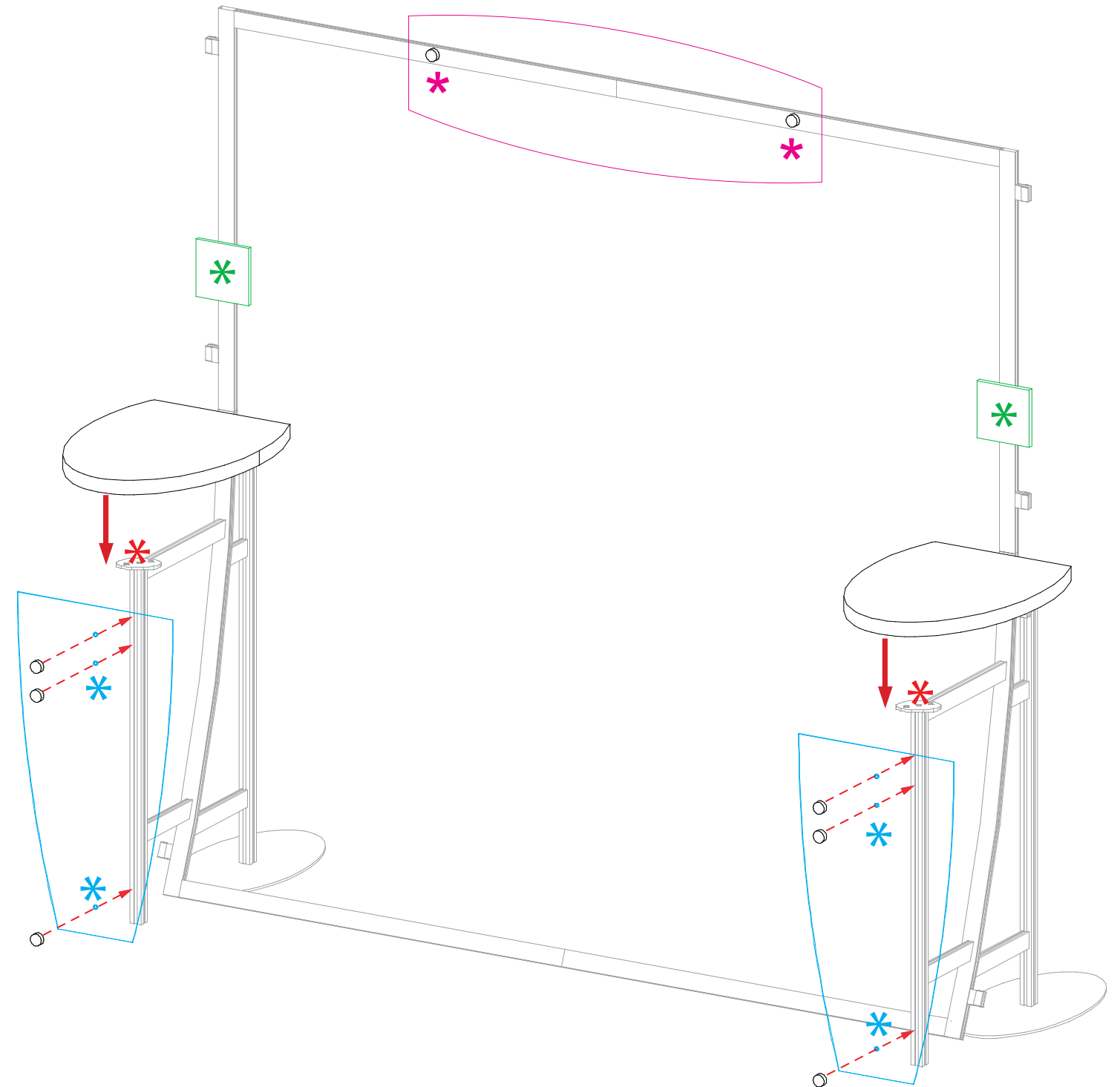
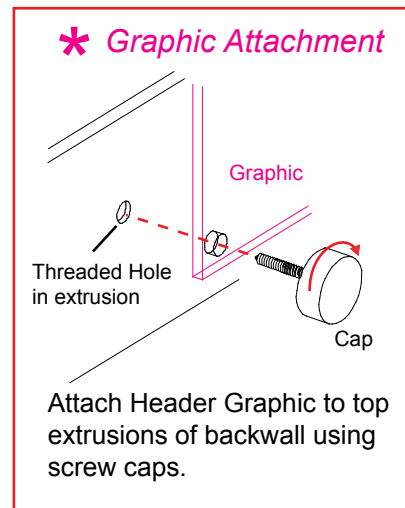
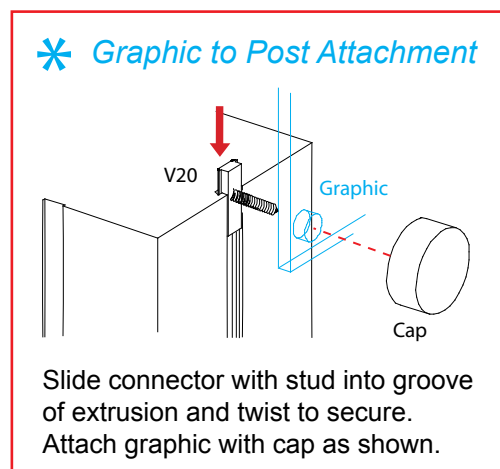
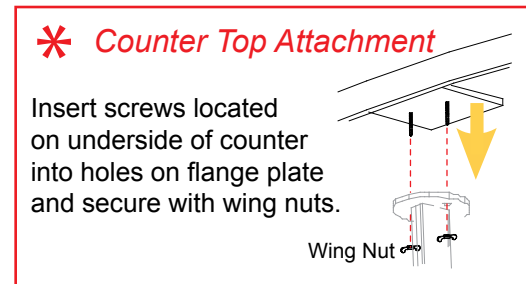
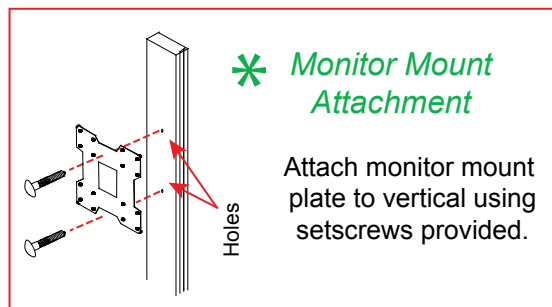


WHEN DISASSEMBLING ALUMINUM EXTRUSION, TIGHTEN ALL SETSCREWS AND LOCKS TO PREVENT LOSS DURING SHIPPING

Item	Qty.	Description
--	2	Counter Tops
--	2	Counter Façade
--	2	Monitor Mounts

Steps:

- 1) Attach Monitor Mounts to backwall vertical extrusions.
See [Monitor Mount Attachment](#) detail.
- 2) Connect Counter Façade Graphics to backwall counter verticals.
See [Graphic to Post Attachment](#) detail.
- 3) Attach Counter Tops to assembled extrusions.
See [Counter Top Attachment](#) detail.
- 4) Attach Header Graphic to top extrusions of backwall.
See [Graphic Attachment](#) detail.



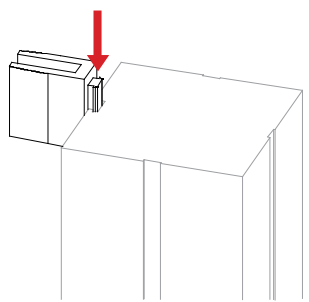
WHEN DISASSEMBLING ALUMINUM EXTRUSION, TIGHTEN ALL SETSCREWS AND LOCKS TO PREVENT LOSS DURING SHIPPING

866.652.2100

Item	Qty.	Description
16	2	13.875"w Horizontal Extrusion
--	4	Graphic Wings

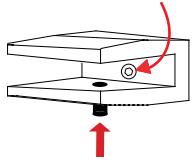
- Steps:
- 1) Attach wings and wing dividers [16] to verticals using A10 Clamps. See [A10 Clamp Attachment](#) detail.
 - 2) Attach lights to the top of the backwall. See [Light Connection](#) detail.

*** A10 Clamp Attachment**

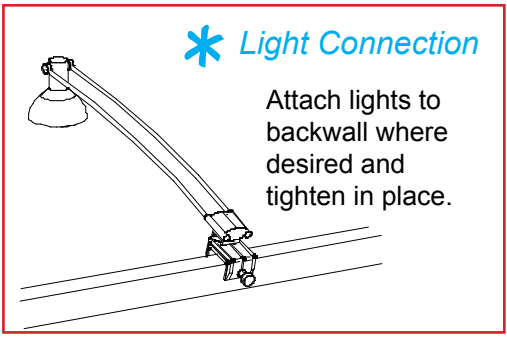


Slide connector on back of A10 clamp into groove of extrusion.

When desired location is found, tighten set screw to secure.

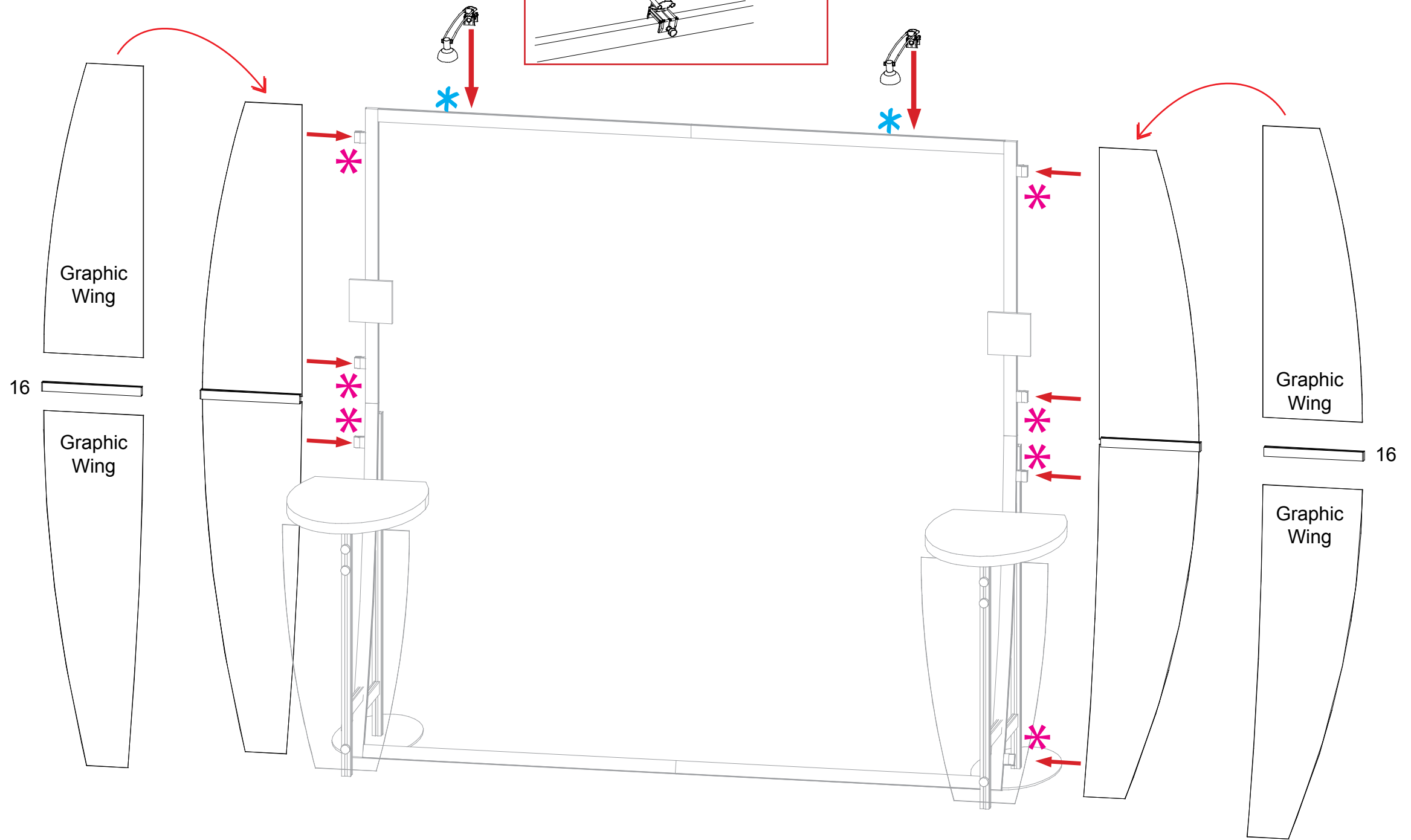


Tighten knob to secure shelf/wing in place.



*** Light Connection**

Attach lights to backwall where desired and tighten in place.



WHEN DISASSEMBLING ALUMINUM EXTRUSION, TIGHTEN ALL SETSCREWS AND LOCKS TO PREVENT LOSS DURING SHIPPING

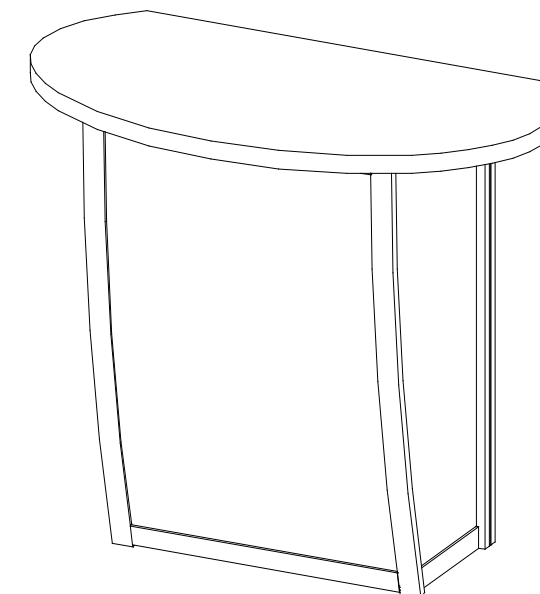
866.652.2100

Item	Qty.	Description
17	1	38" Vertical Extrusion w/ Door Hinges
18	1	38" Vertical Extrusion w/ Door Stopper
19	1	38.4565" Curved Extrusion w/ S10
20	1	38.4565" Curved Extrusion w/ S10
21	1	22.9803" Horizontal Extrusion
22	2	10.4062" Horizontal Extrusion
23	1	23" Horizontal Extrusion
24	1	22.9803" Horizontal Extrusion
25	2	15.0700" Horizontal Extrusion
26	1	23" Horizontal Extrusion

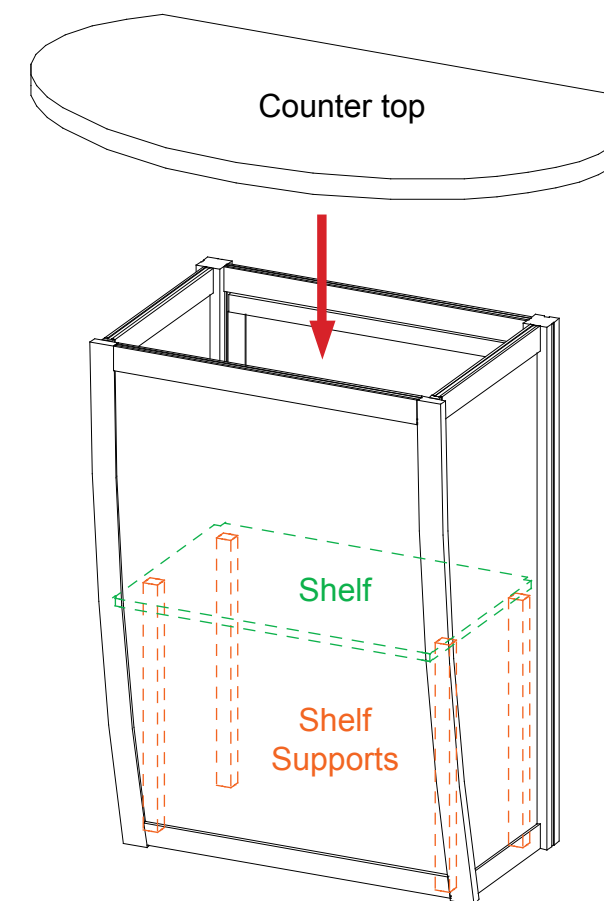
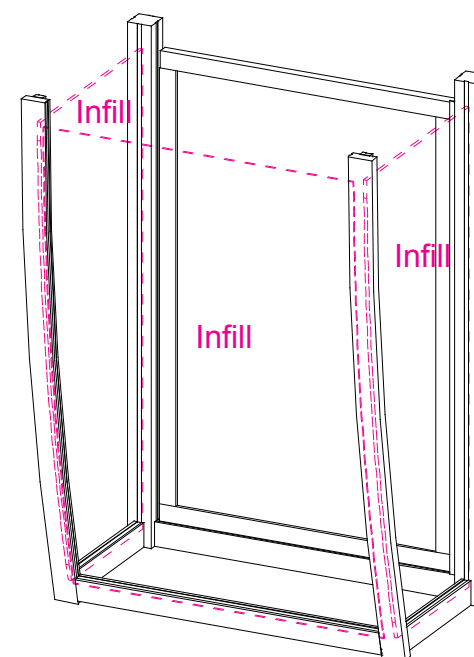
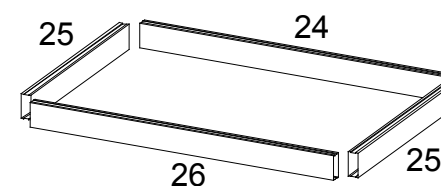
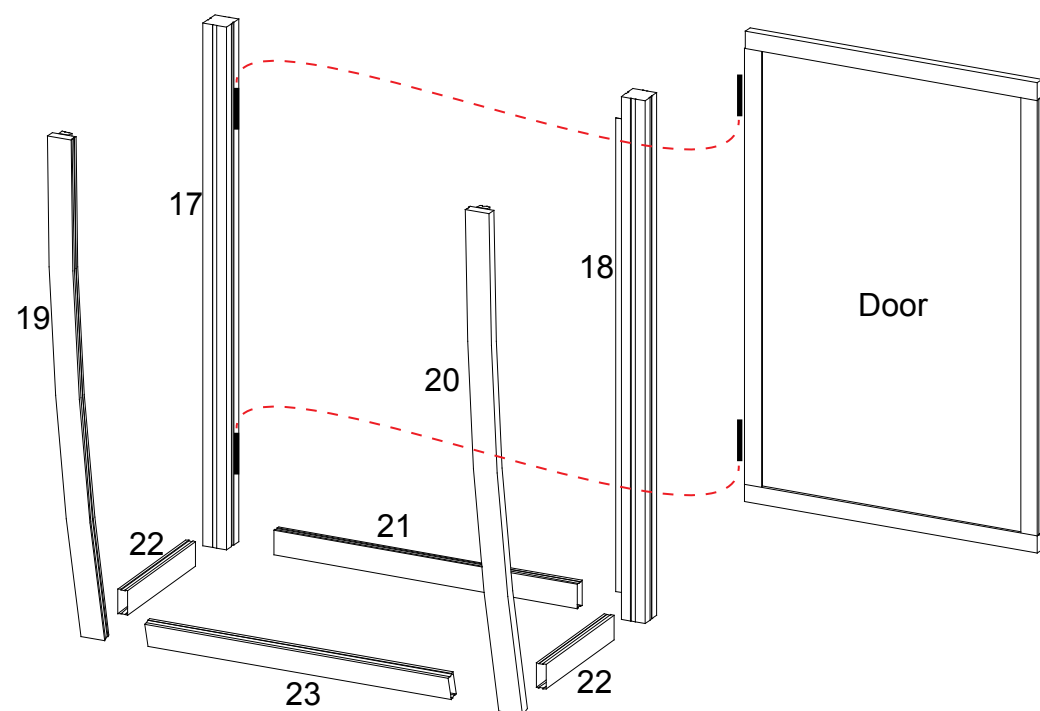


Steps:

- 1) Attach lower horizontals between verticals, inserting infills as shown.
- 2) Attach door to vertical [17]. Refer to detail.
- 3) Attach upper horizontals between verticals and on top of infills.
- 4) Attach shelf supports to Velcro on inside of assembled pedestal.
- 5) Place shelf atop shelf supports.
- 6) Place counter top on assembled pedestal.

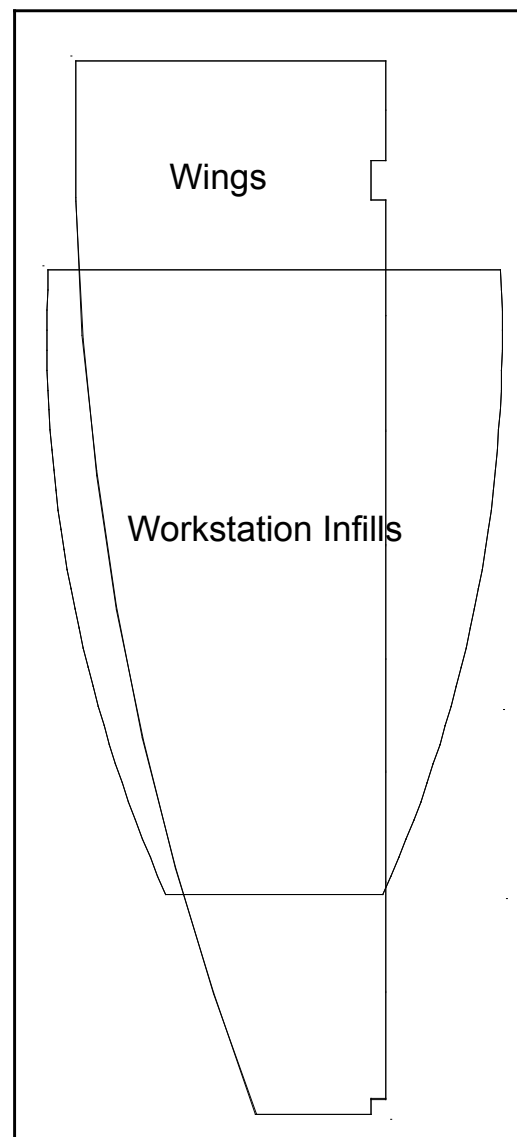


When assembled

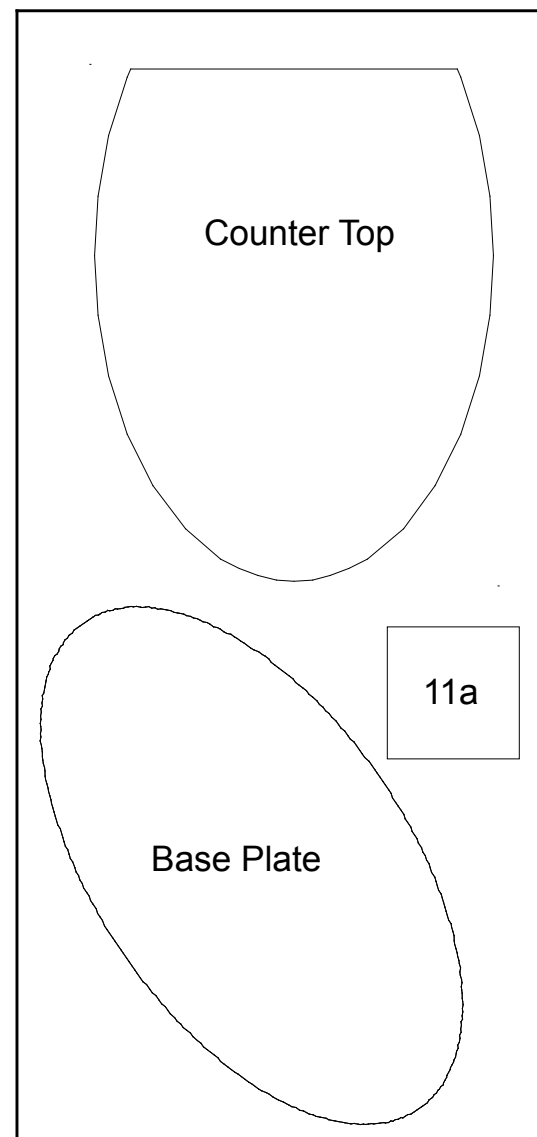


WHEN DISASSEMBLING ALUMINUM EXTRUSION, TIGHTEN ALL SETSCREWS AND LOCKS TO PREVENT LOSS DURING SHIPPING

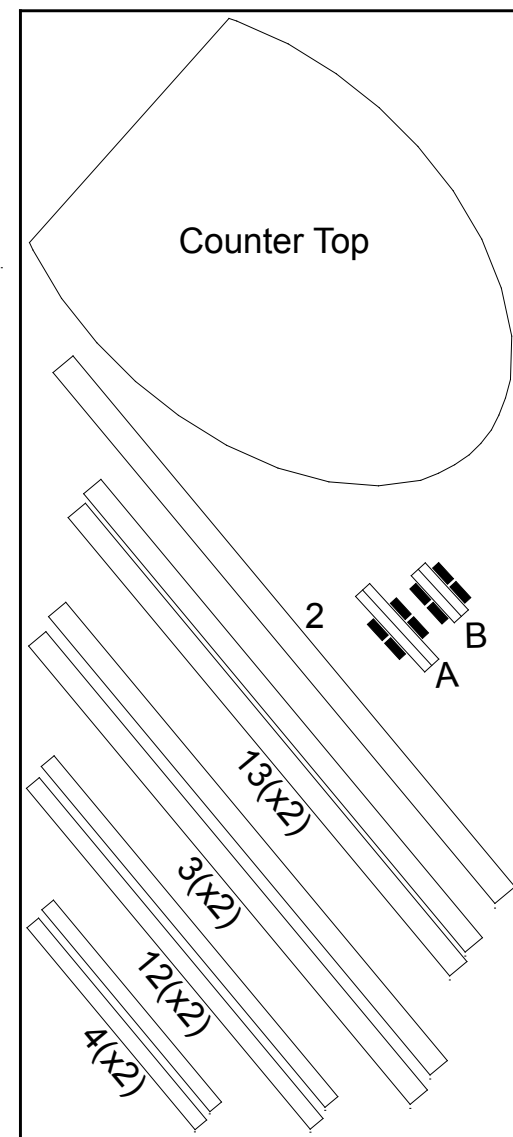
Top View of Each Level



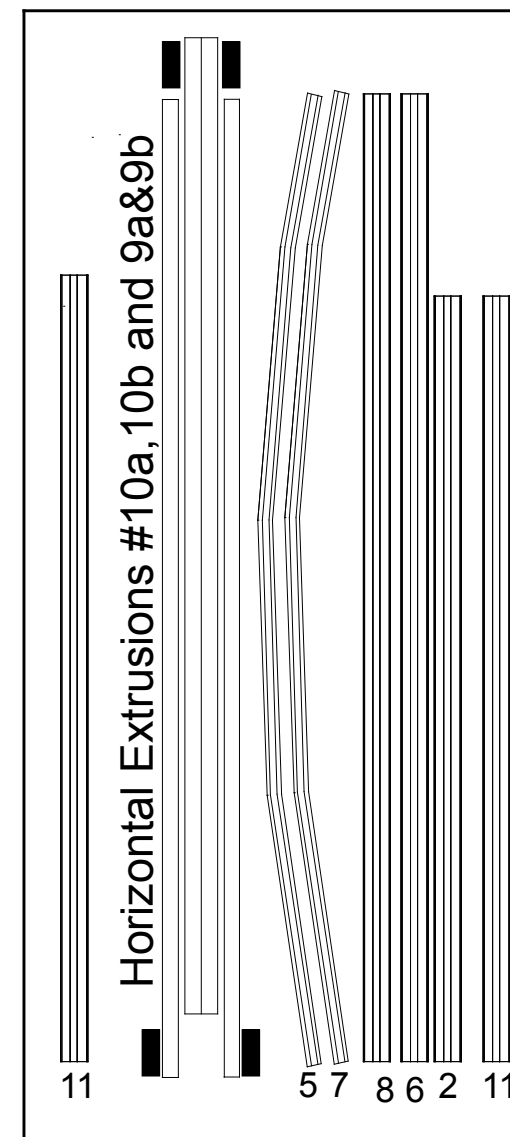
Level 1



Level 2



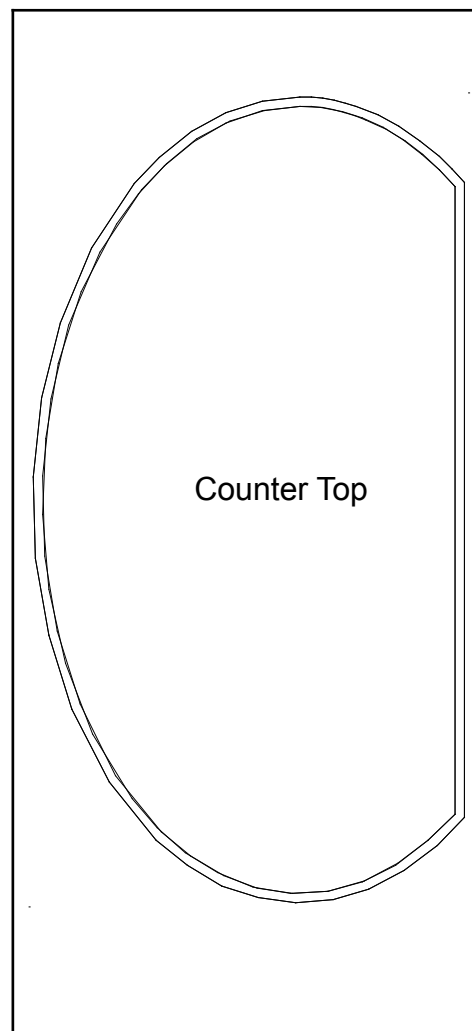
Level 3



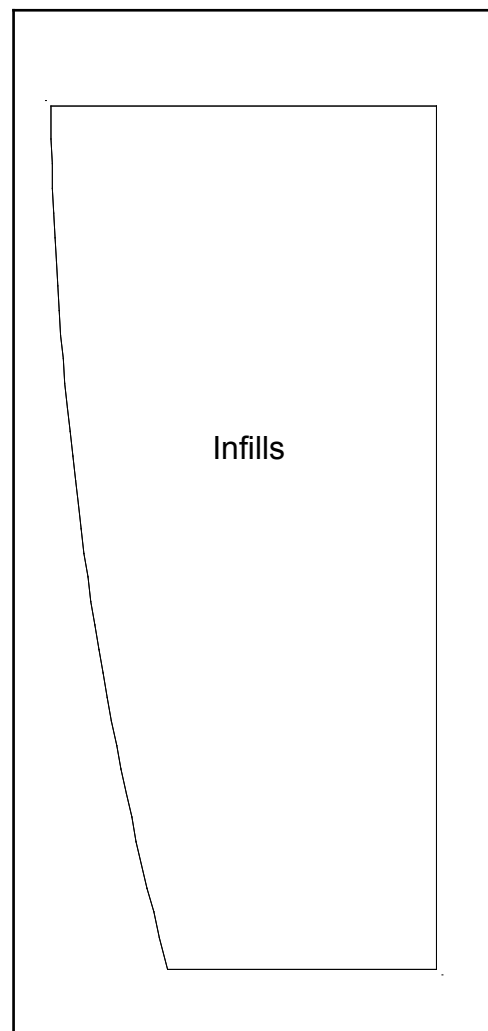
Level 4

WHEN DISASSEMBLING ALUMINUM EXTRUSION, TIGHTEN ALL SETSCREWS AND LOCKS TO PREVENT LOSS DURING SHIPPING

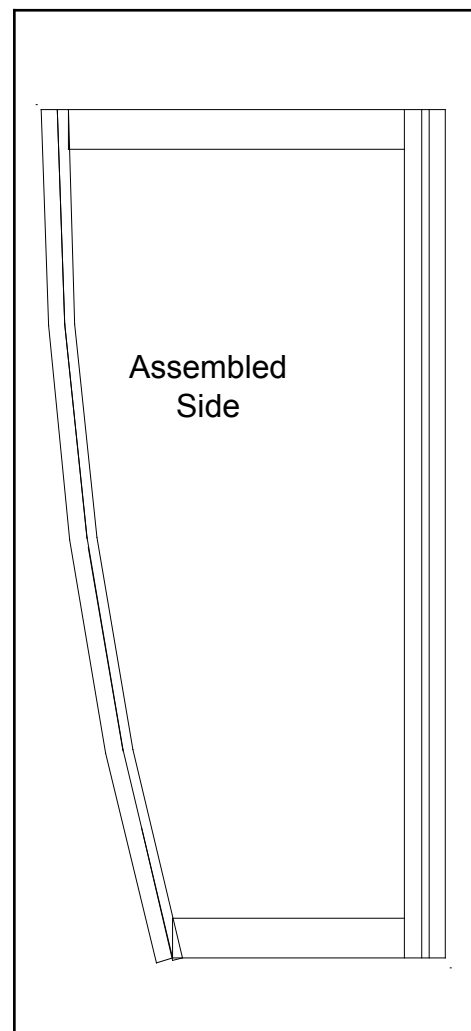
Top View of Each Level



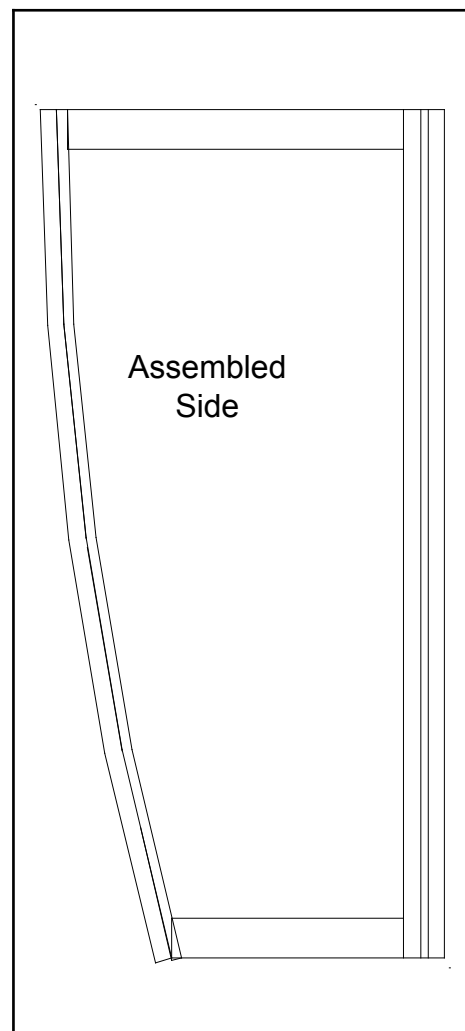
Level 1



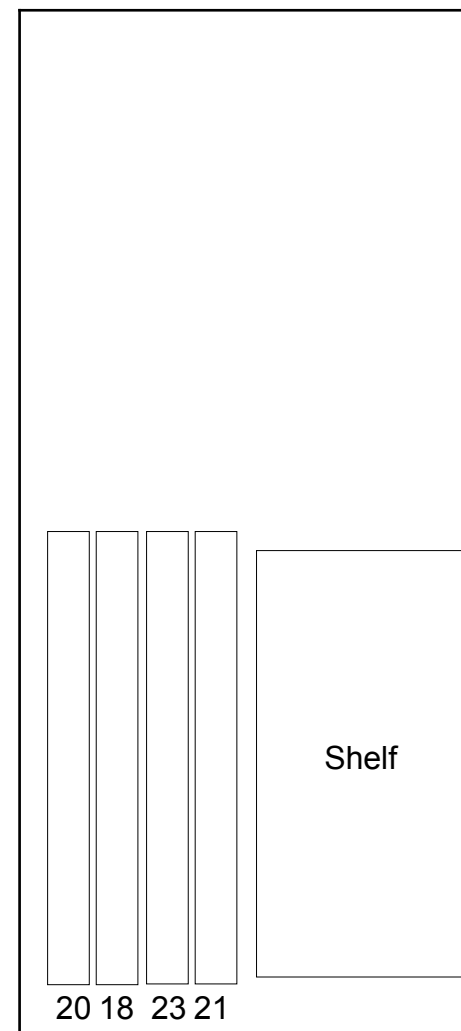
Level 2



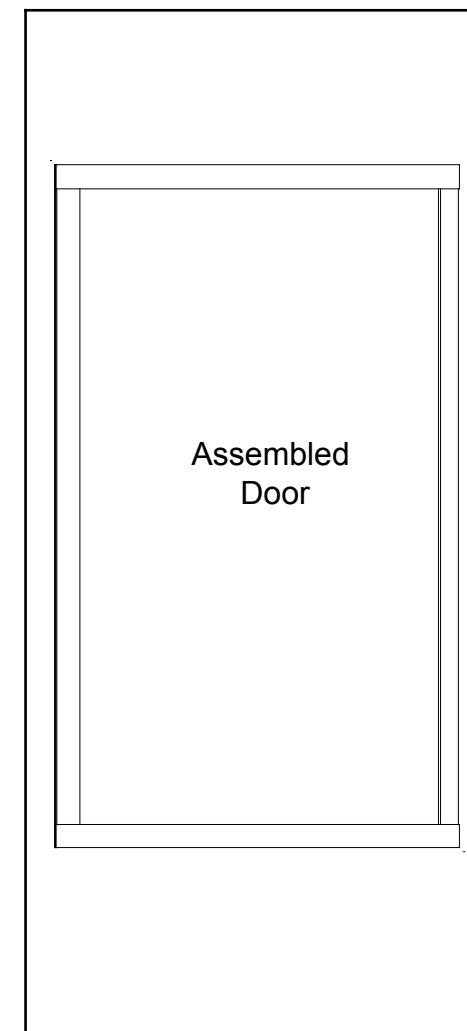
Level 3



Level 4



Level 5



Level 6

WHEN DISASSEMBLING ALUMINUM EXTRUSION, TIGHTEN ALL SETSCREWS AND LOCKS TO PREVENT LOSS DURING SHIPPING