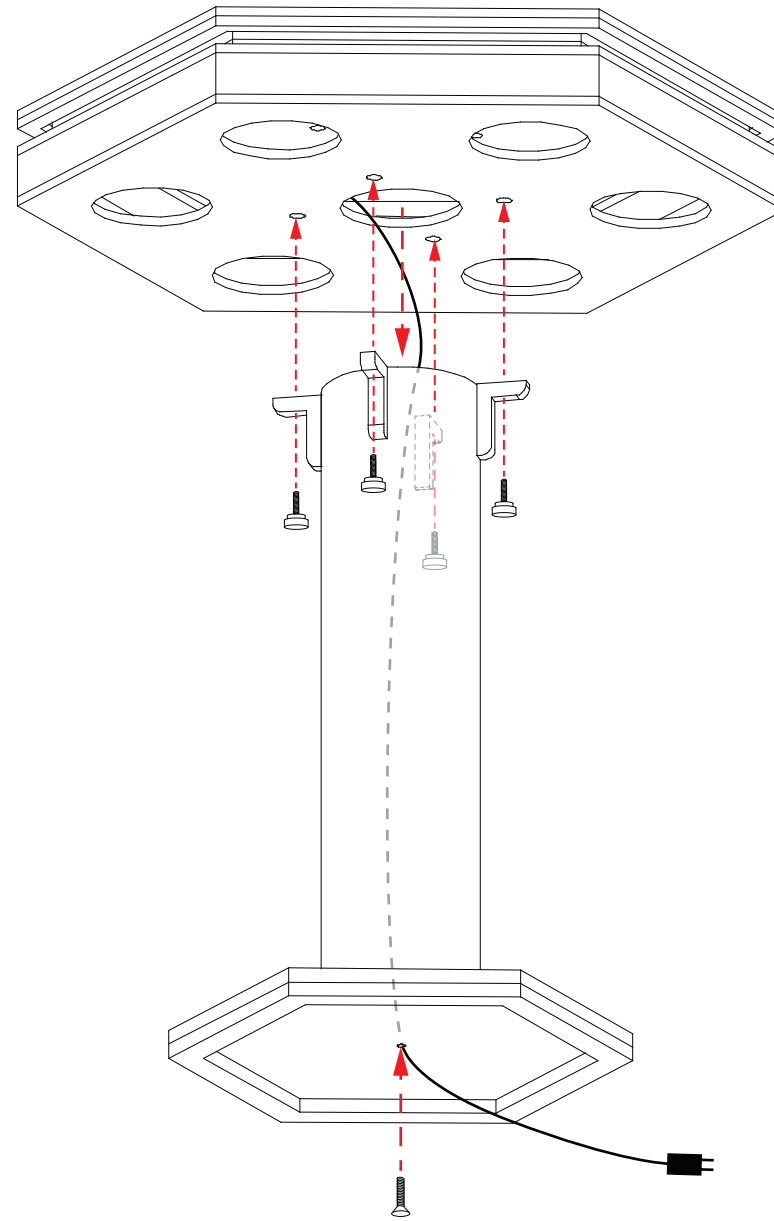
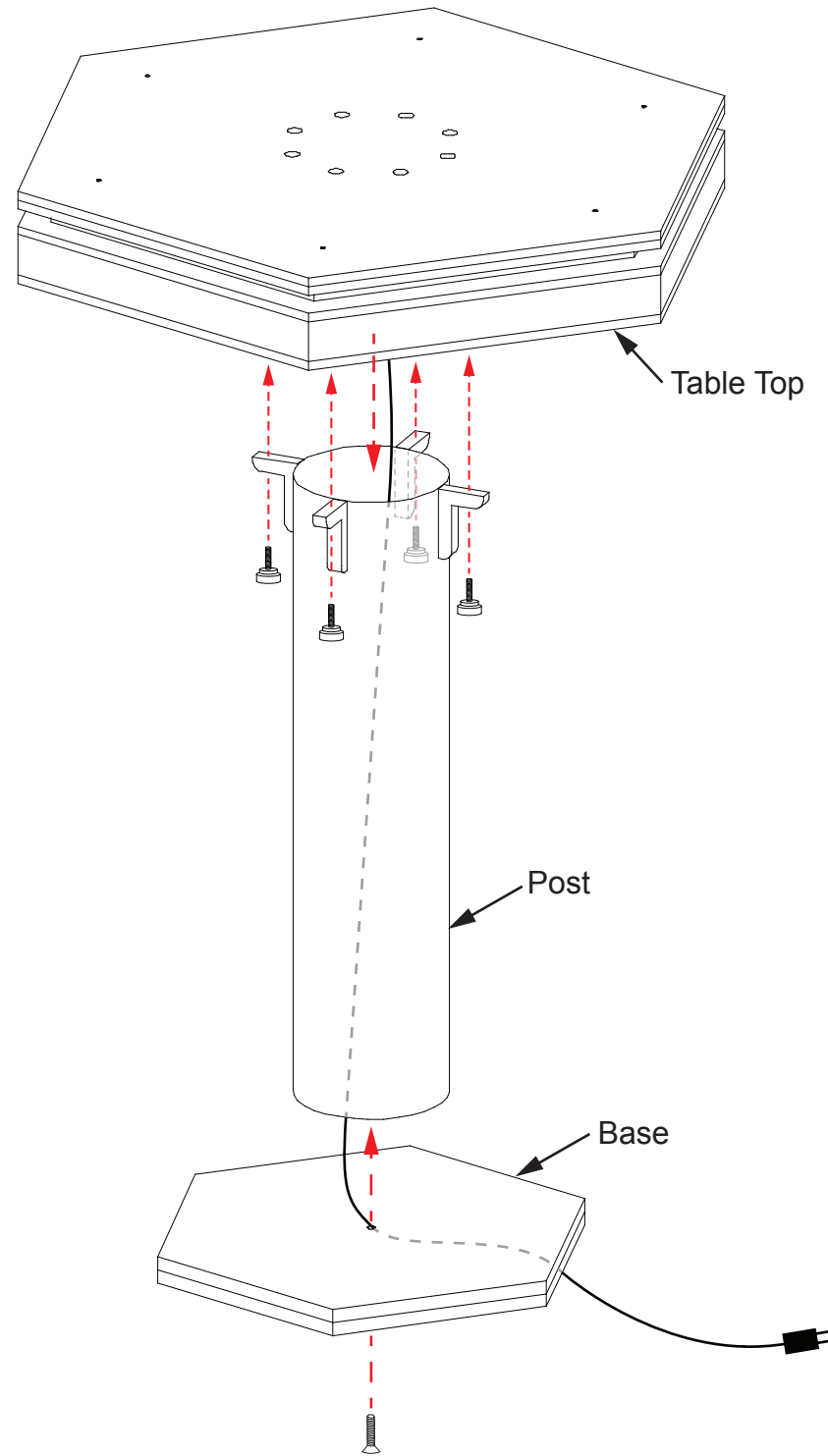
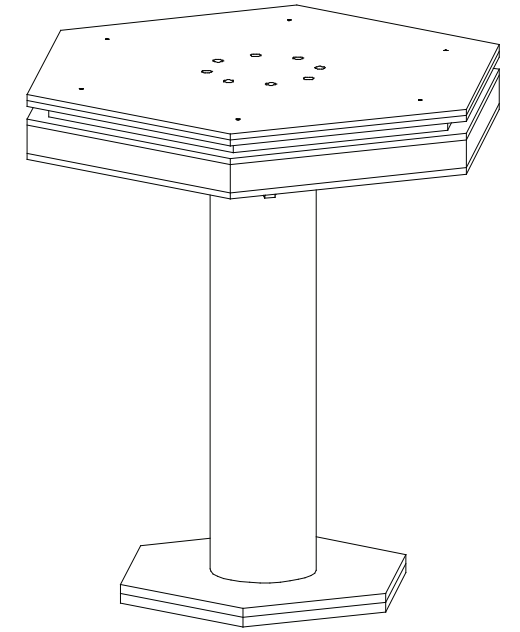


Steps:

- 1) Connect base to post, using bolt.
- 2) Route cord from table top through post and base.
- 3) Connect table top to post, with fixed brackets, using bolts.



Underside View



Completed Assembly

## General Setup Instructions

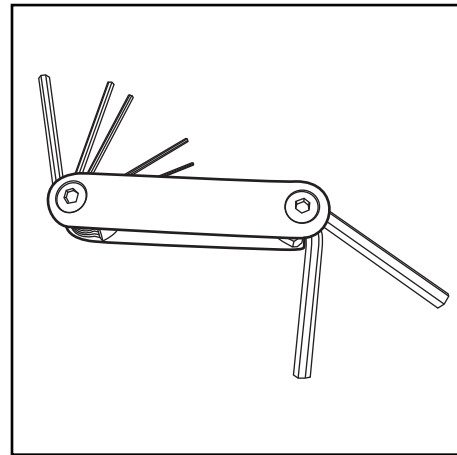
- Read entire setup instruction manual prior to unpacking parts and pieces.
- The setup instructions are created specifically for this configuration.
- Setup instructions are laid out sequentially in steps, including exploded views with detailed explanation for assembly.

## Cleaning & Packing

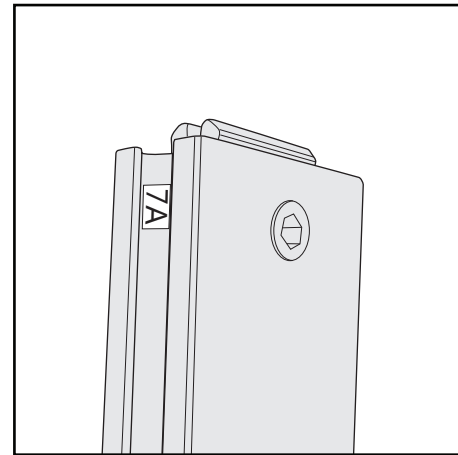
- For Cleaning Metal, Plex, & Laminate Parts: Use a **MILD NON-ABRASIVE** cleanser and soft cloth/paper towel to clean all surfaces.
- Keep exhibit components away from heat and prolonged sun exposure.  
**Heat and UV exposure will warp and fade components.**
- Retain all provided Packing Materials. All provided packing materials are for ease of repacking & component protection.

## Disassembly

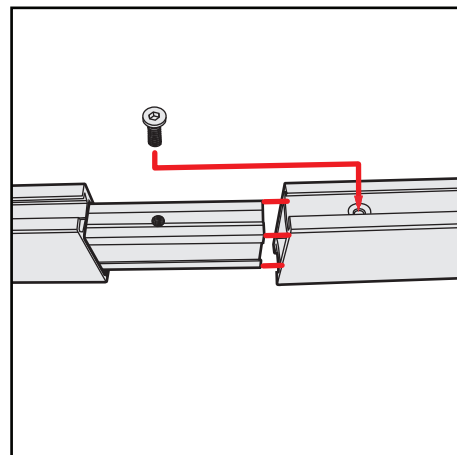
- For loss prevention, tighten all set screws and locks during disassembly.



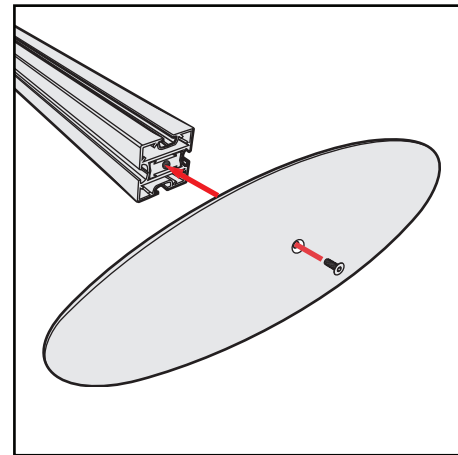
Hex Tool - Essential for Assembly



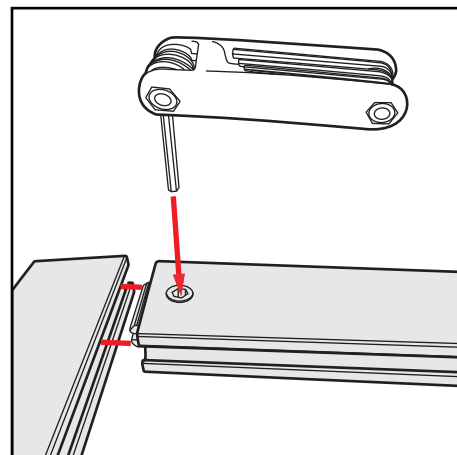
Part Identification - Numbering



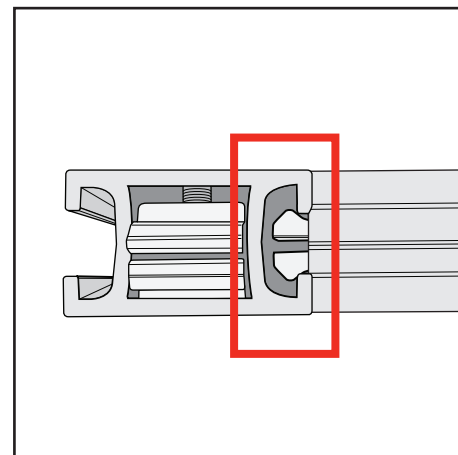
Spline Connection



Base Plate & Extrusion Connection



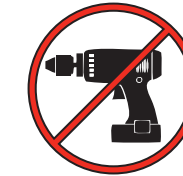
Extrusion & Lock Connection



Engaged Lock



# WARNING



DO NOT USE POWER TOOLS



LADDERS OR LIFTS  
MAY BE REQUIRED



ALL CONNECTIONS MUST  
BE TIGHTLY SECURED

### Controlling the RGB LED lights

#### Static Mode:

1. Use the Color Ring key to select a color.
2. Saturation is controlled with W/R/G/B keys.
3. White mode is available by long-pressing 'ON' key.
4. Colors (not white) are dimmable with the Brightness key.

#### Dynamic Mode:

- Press "M" key to cycle through the following options:
1. White light fades in and out.
  2. Several colors fade in and out.
  3. R,G,B three colors fade in and out.
  4. R,G,B three colors flash.
  5. Six colors flash.
  6. Random color flashes.
  7. Red color fades in and flashes.
  8. Green color fades in and flashes.
  9. Blue color fades in and flashes.

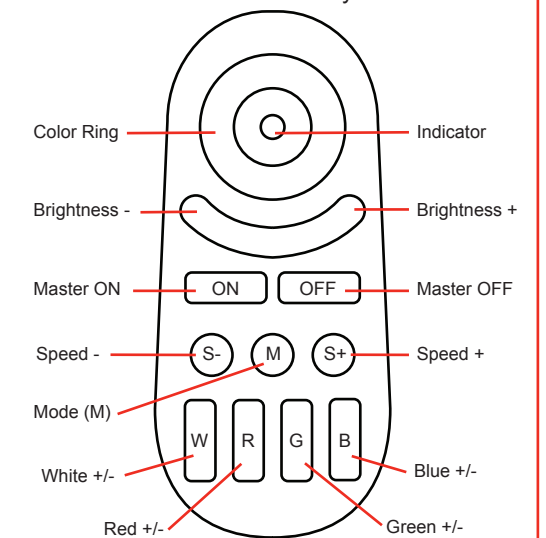
#### To Pair a Remote with Multiple Units:

1. Power on the lights.
2. Press 'ON' key within 3 seconds.
3. Lights will blink when link is made.

To unpair: Long press 'ON' key within 3 seconds after switching on lights.

Remotes can be paired with one or more receivers. Different receivers can work synchronously even when started at different times (within 30 min).

#### Function of Keys



#### Specifications:

- |                               |                             |
|-------------------------------|-----------------------------|
| Receiver:                     | Remote Control:             |
| 1. Working voltage: DC12V/24V | 1. Working voltage: 3V      |
| 2. Output: Max. 6A/Channel    | 2. Standby power: <20uA     |
| Total output Max. 10A         | 3. Transmitting power: 6dBm |
| 3. Max standby power: 0.5W    |                             |