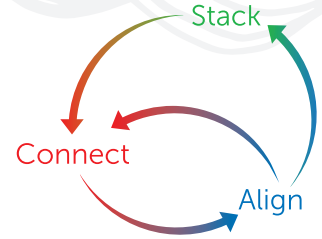


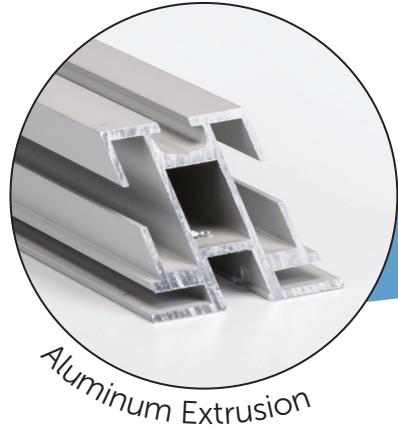
One Perfect System
5 Extrusions
Limitless Flexibility



- Trade Shows
- Events
- Conventions
- Environments

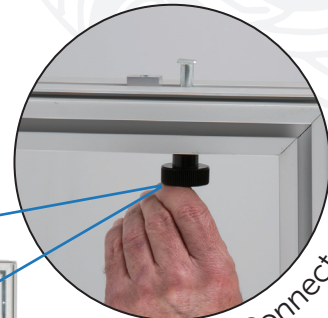


The Basic Building Blocks

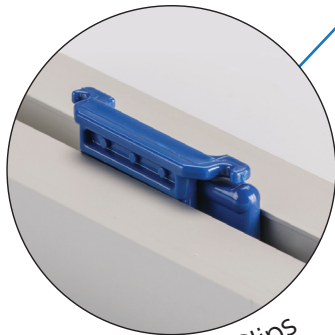


Aluminum Extrusion

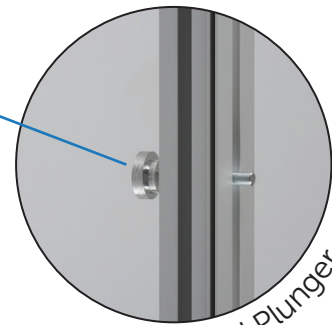
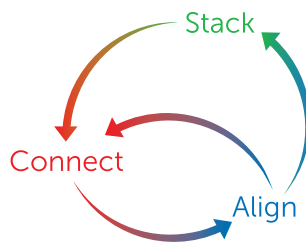
*No Loose Parts.
No Tools.
No Kidding.*



Spring Connectors

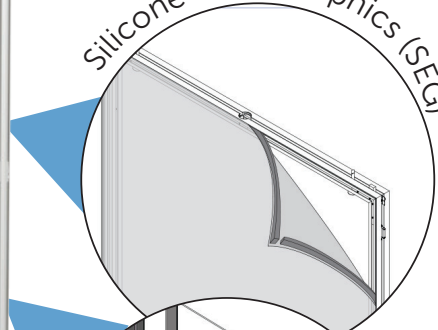


Alignment Clips

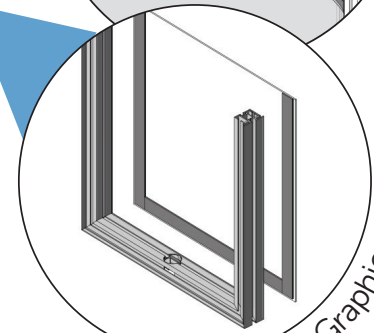


Panel Plunger

Silicone Edge Graphics (SEG)

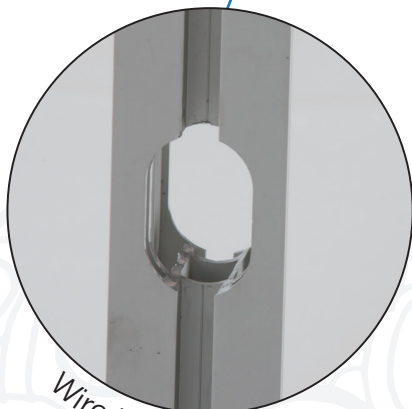


Fully Assembled Panels



Direct Print Graphics

Always Single OR Double-sided Panels

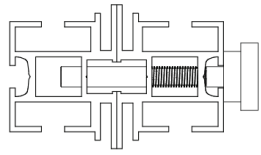


Wire Management

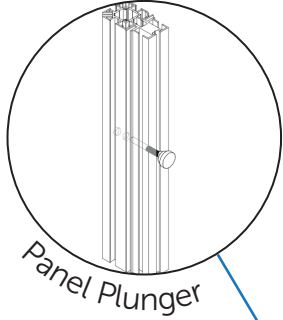
KEY FEATURES



Panel Connections



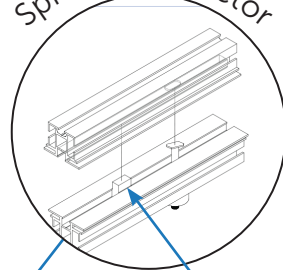
Horizontal



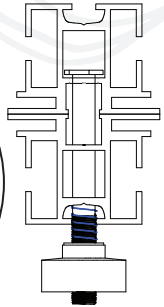
Panel Plunger

Vertical

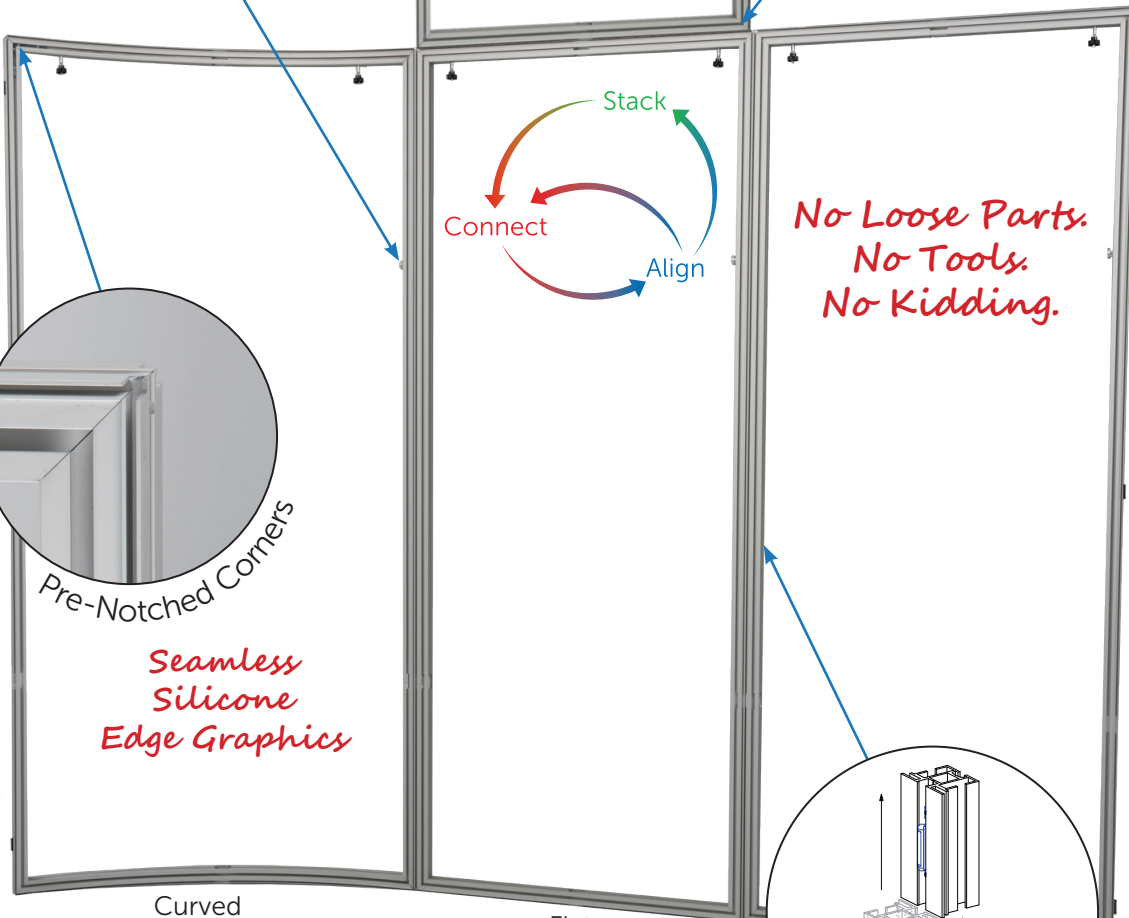
Spring Connector



Alignment Block



KEY FEATURES

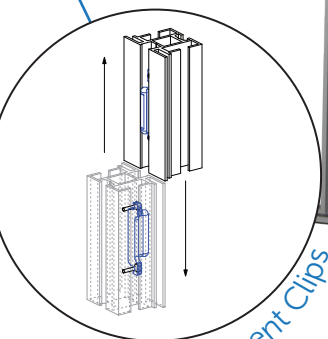


Pre-Notched Corners

Seamless
Silicone
Edge Graphics

Curved

Flat



Alignment Clips

Connect
Panels
w/out Tools

Attached
Polycarbonate
Alignment
Clips



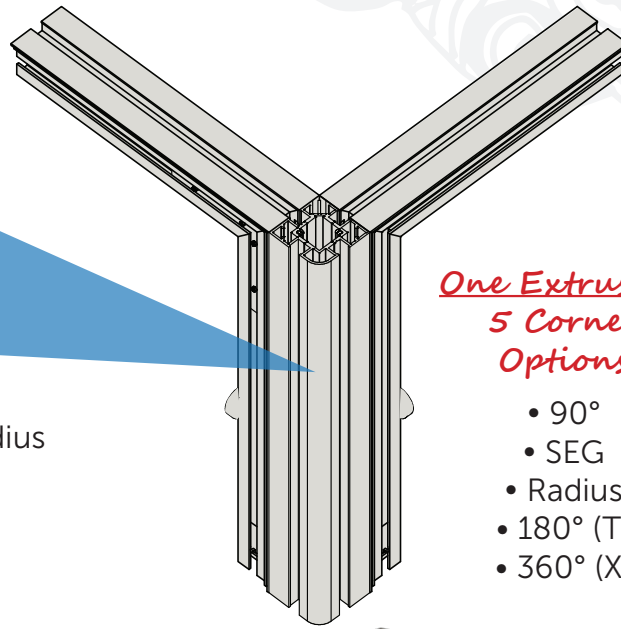
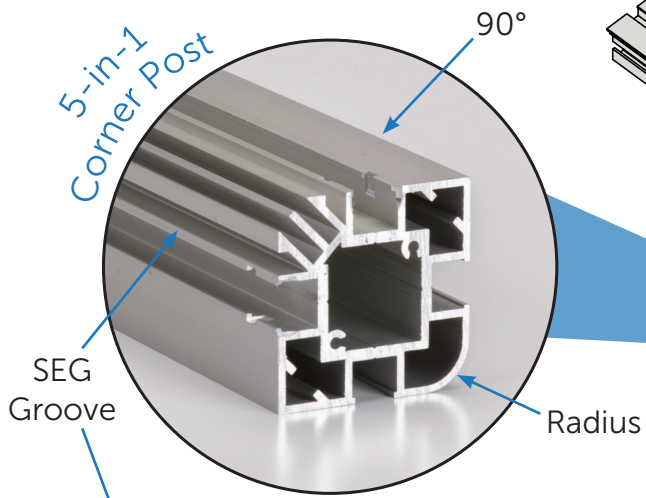
Level 2

Level 1

Level 3



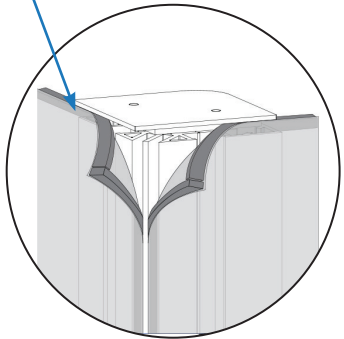
Corner Connections



*One Extrusion
5 Corner
Options*

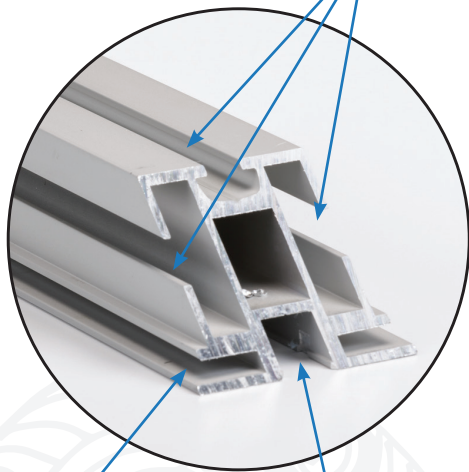
- 90°
- SEG
- Radius
- 180° (T)
- 360° (X)

KEY FEATURES

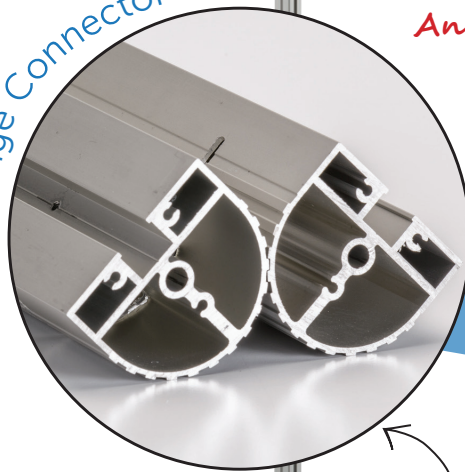


*Build Off
of Any
Panel*

ClassicMODUL
Grooves



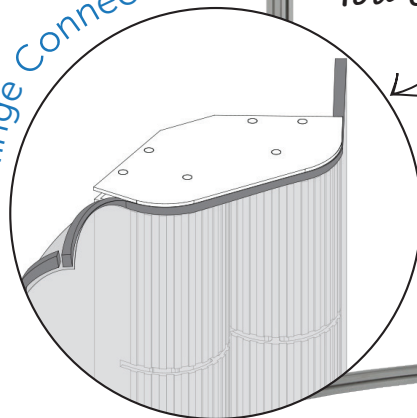
180° Hinge Connector



*Position
Panels at
Any Angle*

You Choose

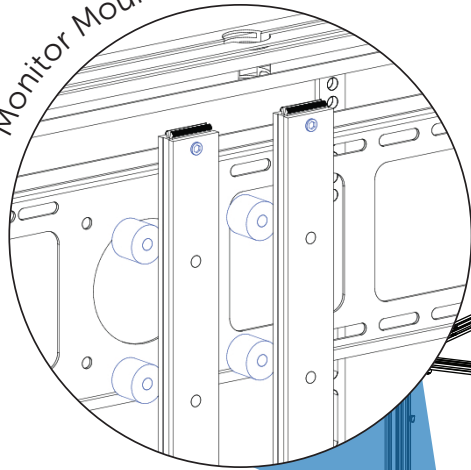
Fixed Hinge Connector



*SEG Corner
Wrapped
Graphics*

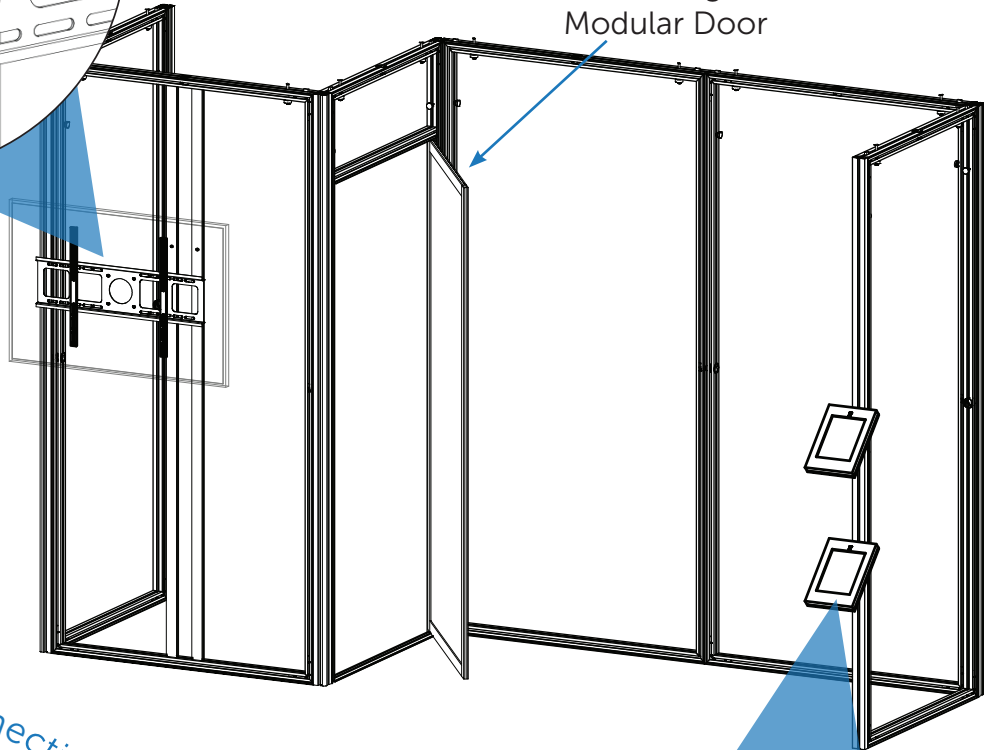


Monitor Mount

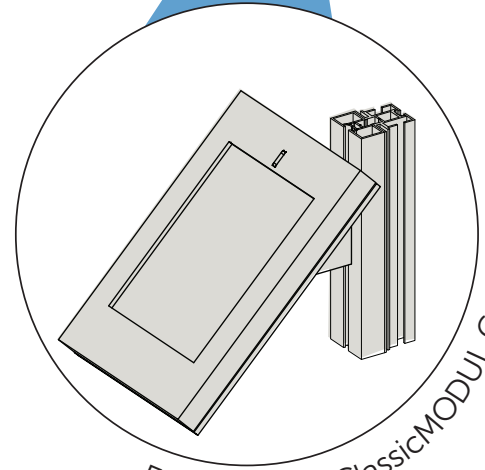
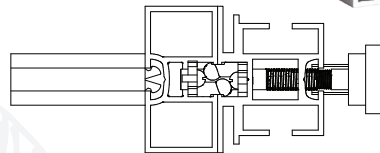
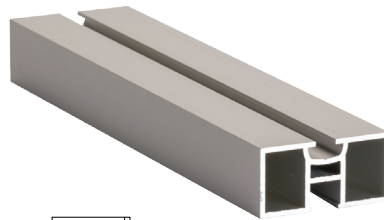
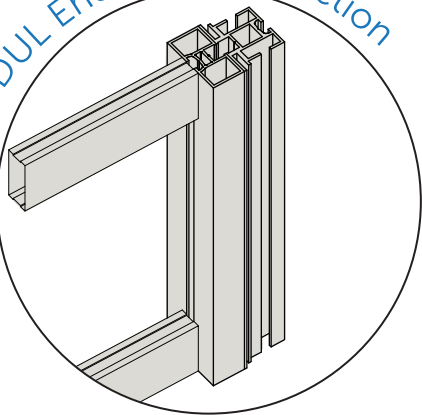


with ClassicMODUL
Extrusion and Locks

Locking
Modular Door



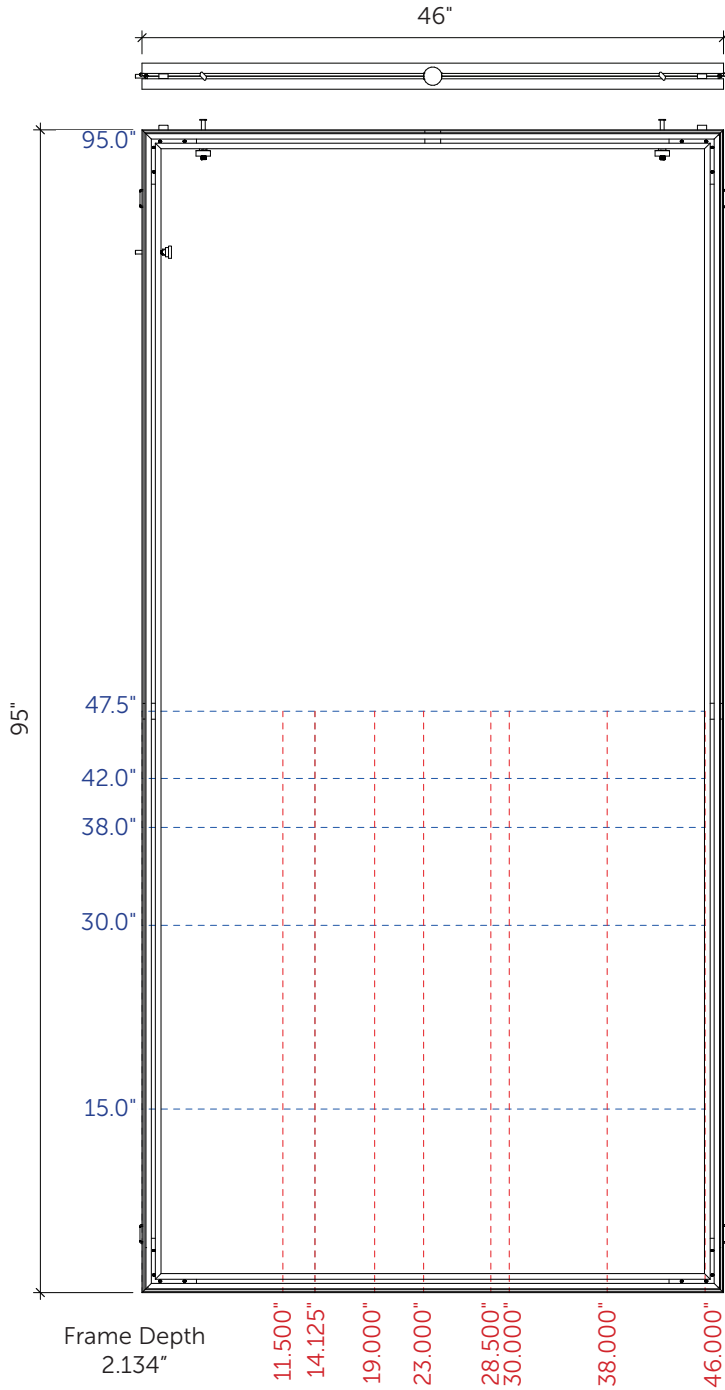
ClassicMODUL End Cap Connection



End Cap with ClassicMODUL Groove



Panel Sizes



Flat Panel
Standard Sizes

Standard Frame Includes:

- (4) Wire Management Holes
- Attached Alignment Clips
- Attached Panel Plunger
- Vertical Spring Connector Option
- ClassicMODUL Groove - Interior Perimeter and Face Channels

*Always
Single OR
Double-sided*

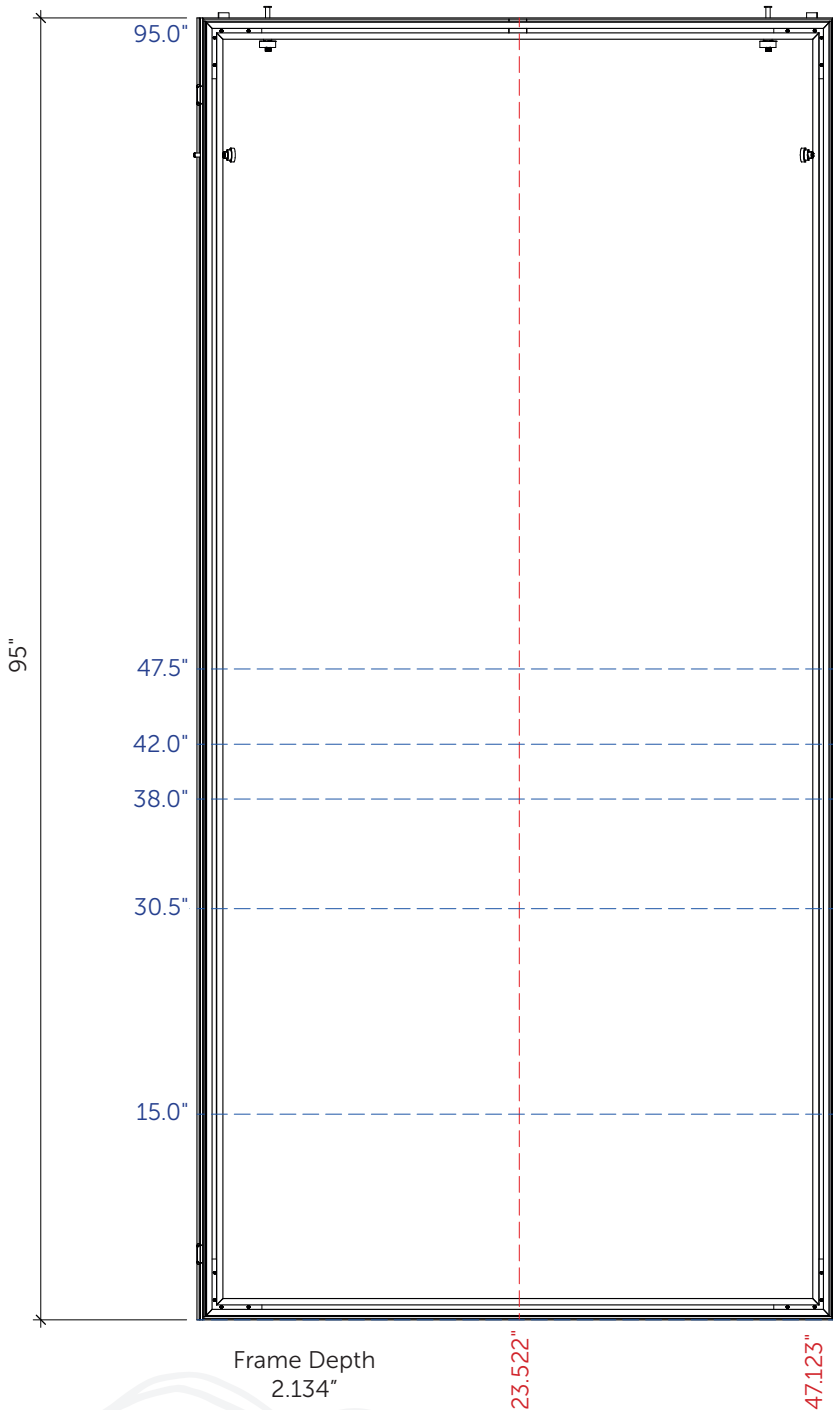
SEG Graphics

Direct Print Graphics



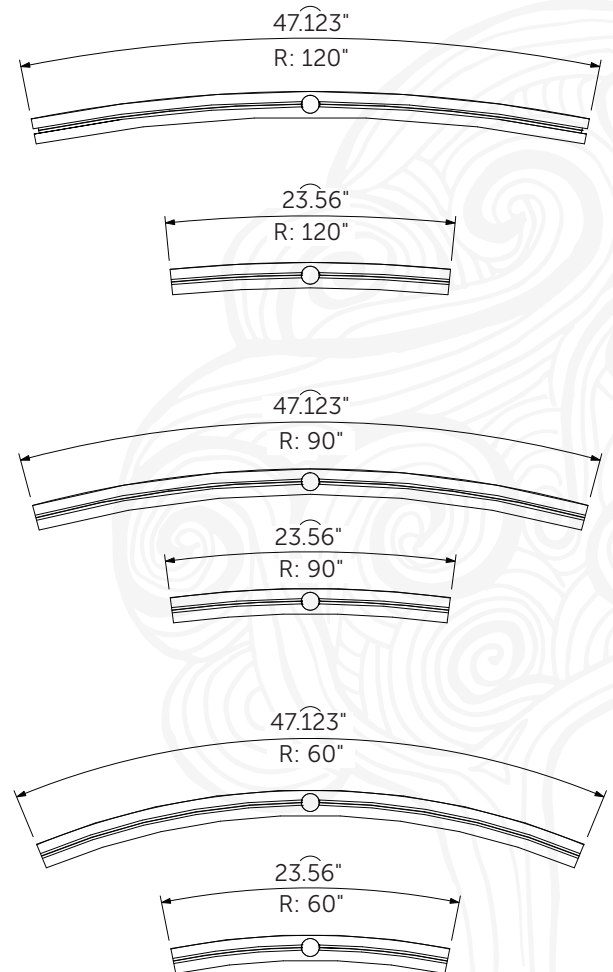
Curved Panel Standard Sizes

Panel Sizes



Standard Frame Includes:

- (4) Wire Management Holes
- Attached Alignment Clips
- Attached Panel Plunger
- Vertical Spring Connector Option
- ClassicMODUL Groove - Interior Perimeter and Face Channels



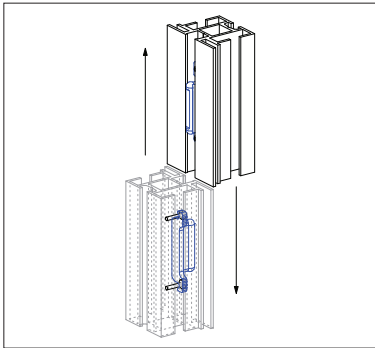
No Loose Parts.
No Tools. No Kidding.

Features

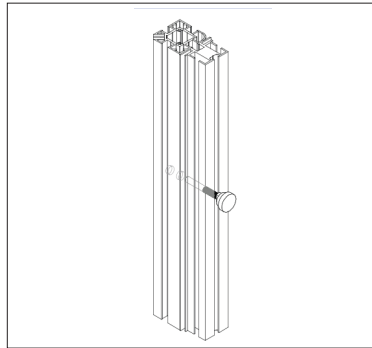
Connections

Horizontal Connections

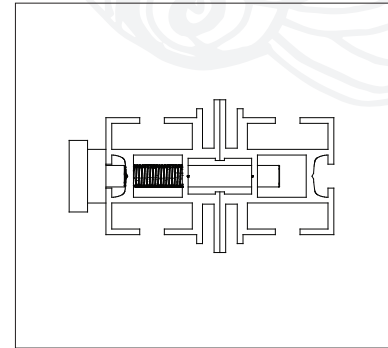
Alignment Clips



Panel Plunger

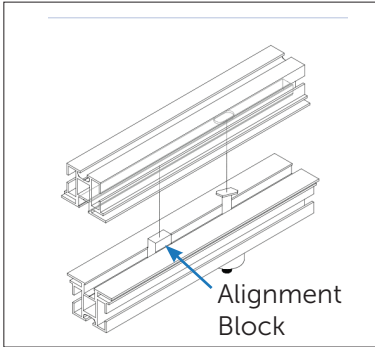


Panel Plunger

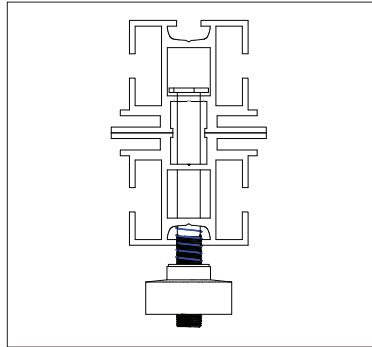


Vertical Connections

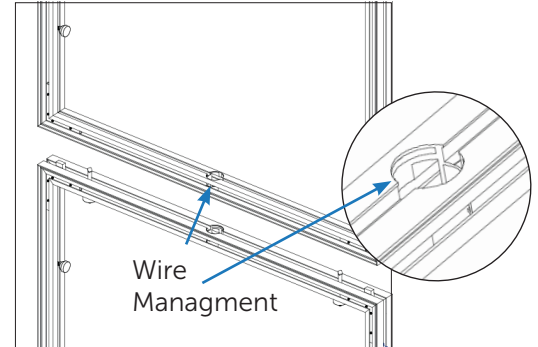
Spring Connector



Spring Connector

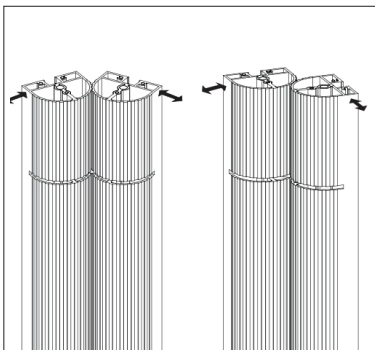


Stacking Panels

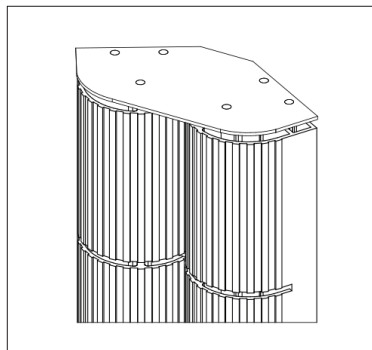


Connections

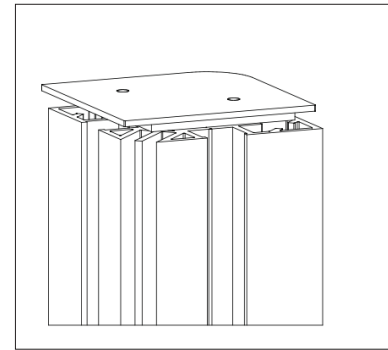
180° Hinge Connector



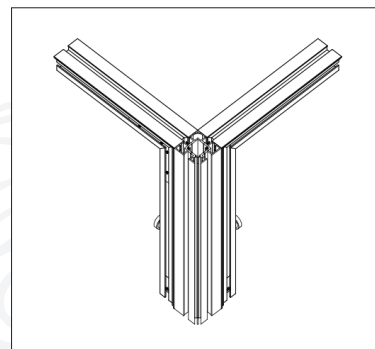
Fixed Hinge Connector



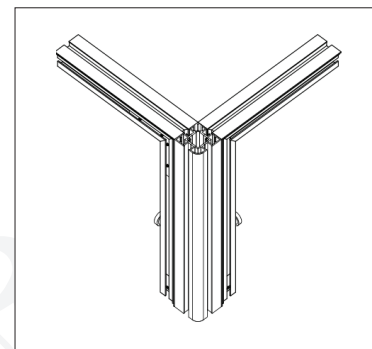
Fixed Corner Post



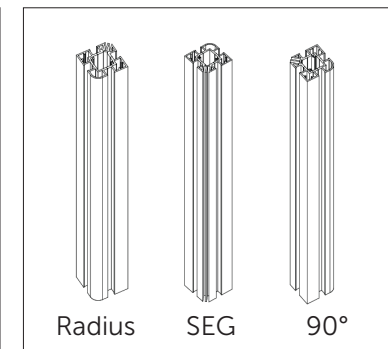
Corner Post SEG



Radius Corner Post



Corner Posts



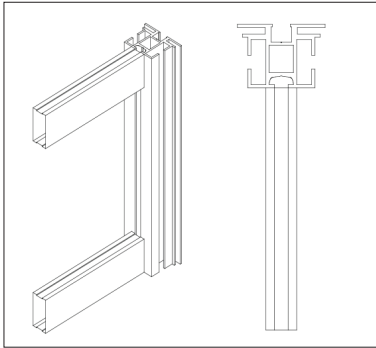
OVERVIEW



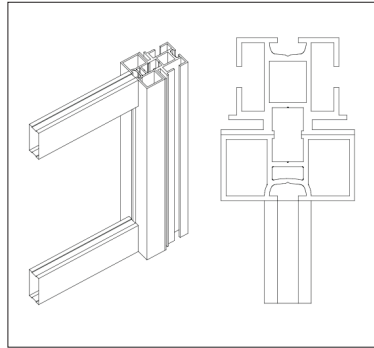
Connections

Connections

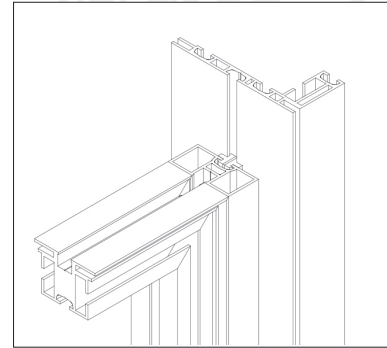
ClassicMODUL Lock



ClassicMODUL End Cap



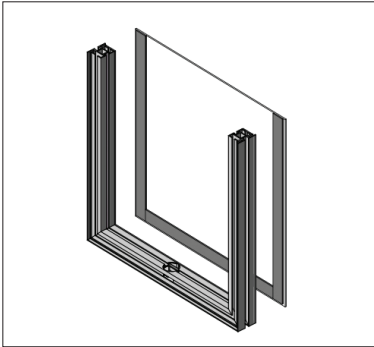
Lightbox Connection



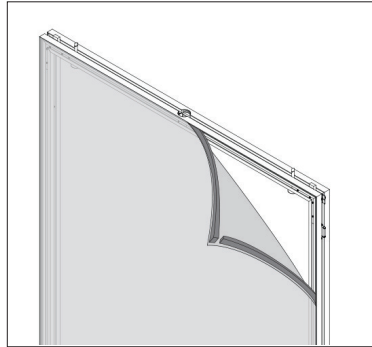
Graphics

Graphic Types

Direct Print



Silicone Edge Graphics



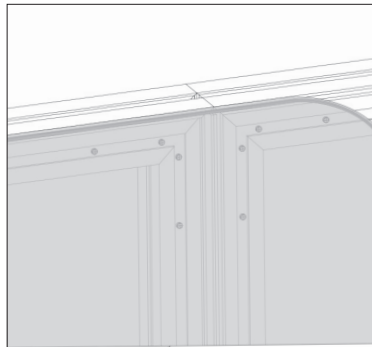
*Always
Single OR
Double-sided
Panels*

Continuous Graphics

Pre-Notched SEG Corners



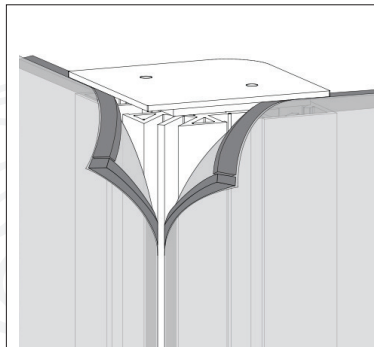
Continuous SEG Graphics



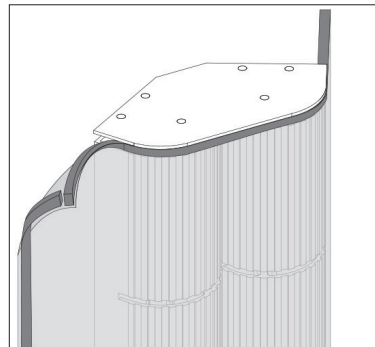
*Seamless
Panel-to-Panel
Graphics*

Corner Wraps

Fixed Corner Post w/ SEG Grooves



Fixed Hinge Connector w/ SEG Grooves



*SEG
Corner
Wraps*

